

# Gauge protector

## Model : A070

Spec. sheet no. AD00-07

### Service intended

It is used for protecting the gauges from over pressure.  
The gauge protector closes at the adjusted set-point pressure.



### Ordering information

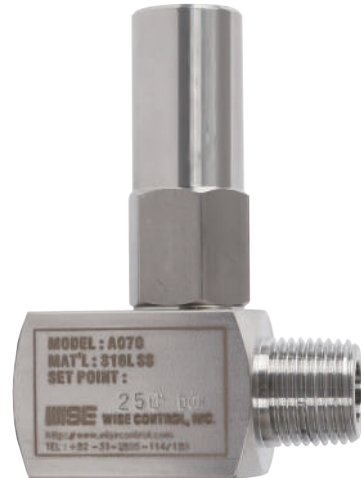
Base model : 1<sup>th</sup> thru 4<sup>th</sup> characters

### Accuracy

±10% of setting pressure

### A070 : Gauge protector

Max. static pressure up to 25 MPa



5 <sup>th</sup> character		6 <sup>th</sup> character		7 <sup>th</sup> character		8 <sup>th</sup> character	
Code	Pressure	Code	Material	Code	Gauge connection size	Code	Gauge connection type
P	3 ~ 10 kPa	D	316SS	1	3/8"	A	PF
L	15 ~ 50 kPa	F	316L SS	2	1/2"	C	NPT (F)
N	70 kPa ~ 0.2 MPa	G	Monel	9	Other	Z	Other
H	0.3 ~ 4 MPa	H	Hastelloy-C				
U	5 ~ 25 MPa	Z	Other				

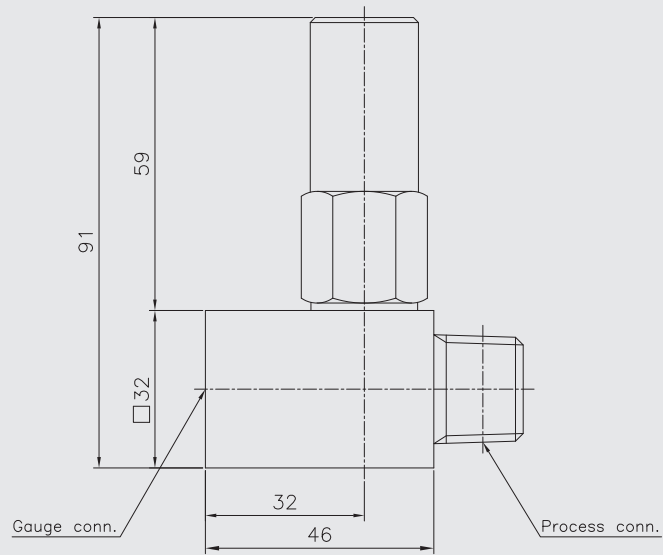
9 <sup>th</sup> character		10 <sup>th</sup> character		11 <sup>th</sup> thru 15 <sup>th</sup> character	
Code	Process connection size	Code	Process connection type	Code	Unused character
C	3/8"	G	PF	A0000	
D	1/2"	J	NPT (M)		
Z	Other	Z	Other		

### Standard features

Model number	Type	Set pressure	Connection
A070ND2CDJ AOOOO	Medium press	70 kPa ~ 0.2 MPa	1/2" NPT (F) X 1/2" NPT (M)

## A070 : Type of mounting

Code N,H



Code P,L

