

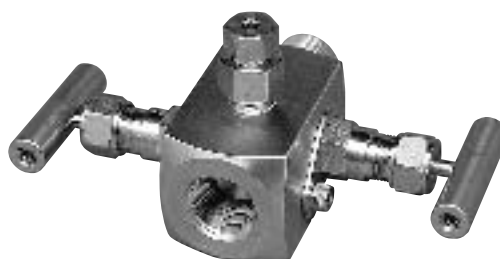
INSTRUMENT VALVE

MODEL : A080



SERVICE INTENDED

It is used for switching flow between one common connection and the other two connections.
The instrument valve is applied to the pressure gauge and pressure transmitter.



ORDERING INFORMATION

BASE MODEL - 1st thru 4th characters

A080 : INSTRUMENT VALVE

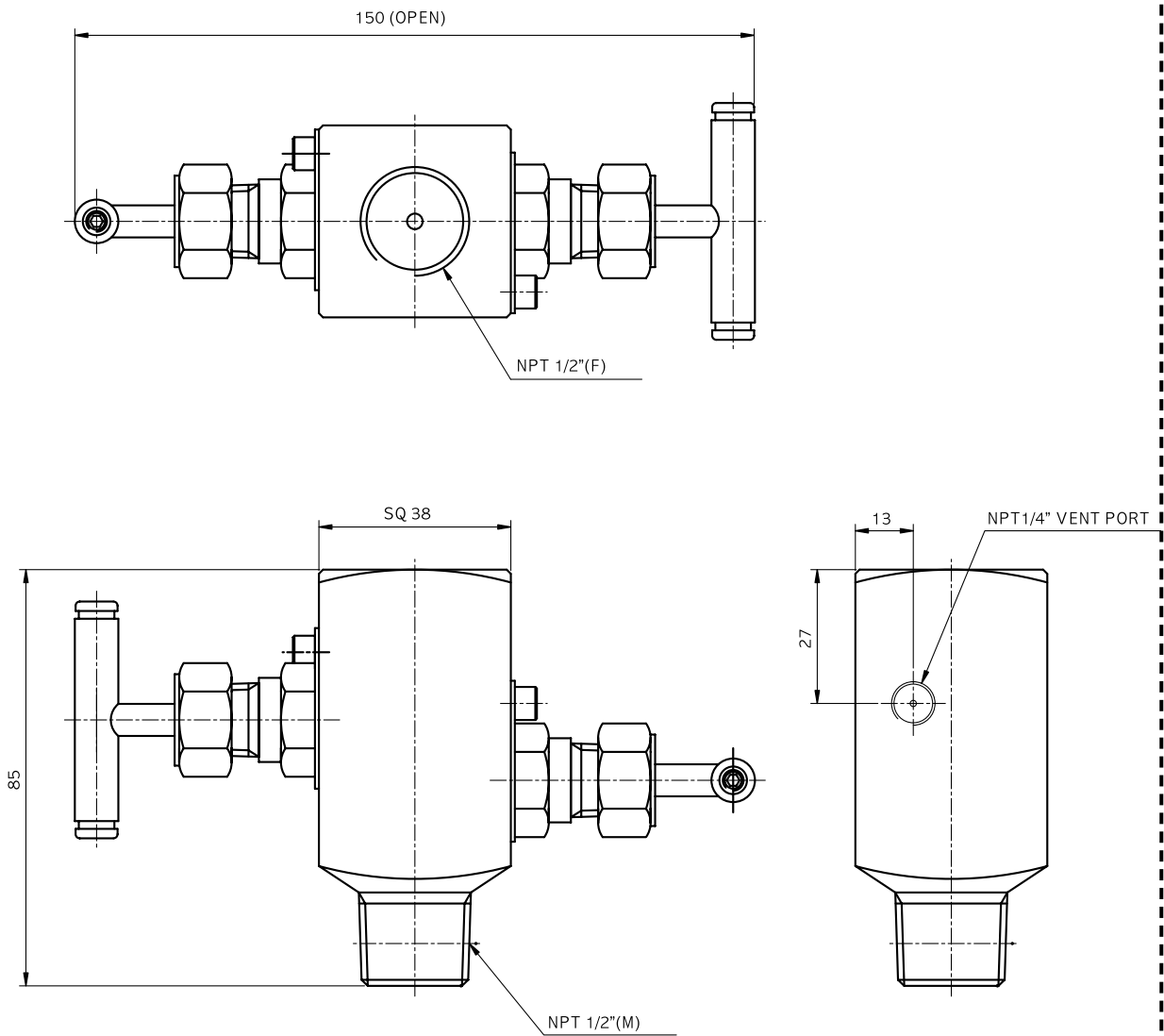
5th Character		6th Character		7th Character		8th Character	
Code	Type	Code	Gauge Connection Type	Code	Gauge Connection Size	Code	Process Connection Type
S	Isolation valve	W	NPT(F)	2	1/4"	W	NPT(F)
W	2 way manifold	M	NPT(M)	4	1/2"	M	NPT(M)
		Z	Other	9	Other	Z	Other

9th Character		10th Character		11th Character		12th Character	
Code	Process Connection Size	Code	Packing Material	Code	Bleed & Plug	Code	Bleed & Plug Size
2	1/4"	T	PTFE	A	NONE	1	1/4"NPT(F)
4	1/2"	G	Graphite	B	Bleed	2	1/2"NPT(F)
				C	Bleed with Plug	3	No Bleed
						4	M8 screw
Z	Other					Z	Other

13th Character		14th Character		15th Character	
Code	Material	Code	Unused	Code	Unused
C	CS	X	All T Bar	O	
H	316SS				
L	316L SS				
J	MONEL				
Z	INCONEL				
T	Other				

A080 : TYPE OF MOUNTING (1/2)

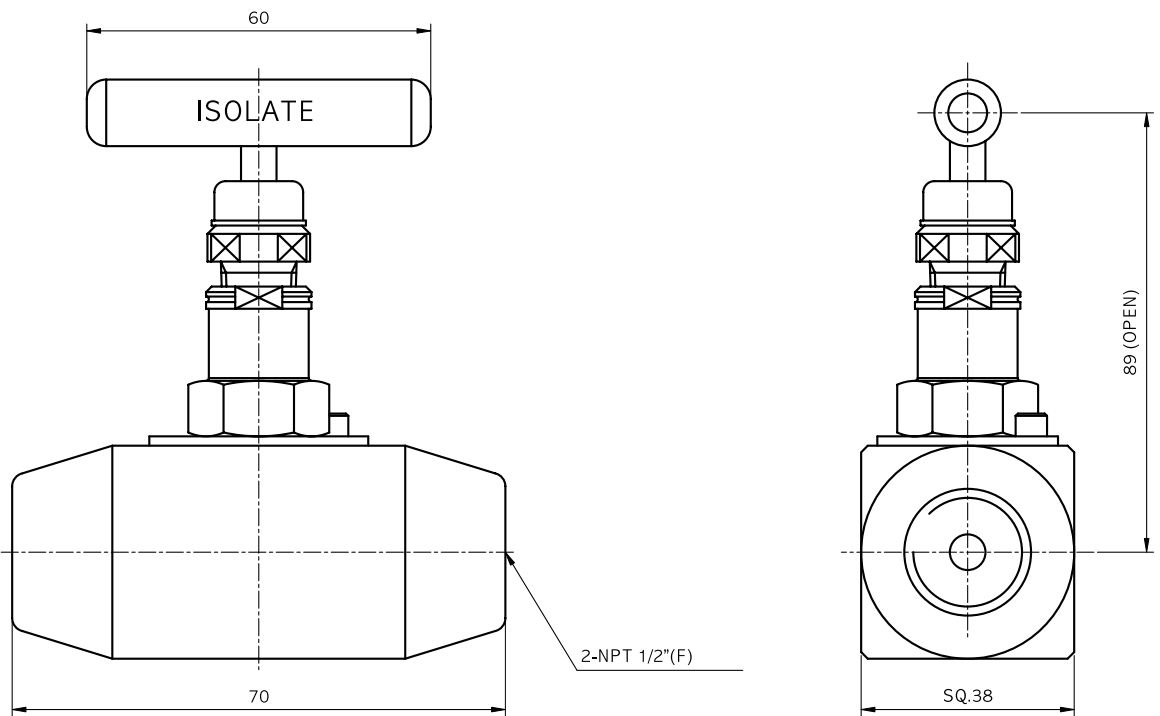
CODE W



A080 : TYPE OF MOUNTING (2/2)

AD01 - 08

CODE S



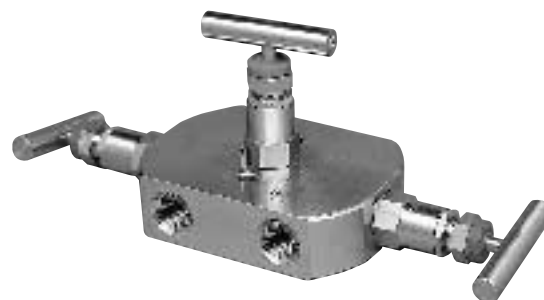
INSTRUMENT MANIFOLD VALVE

MODEL : A080



SERVICE INTENDED

It is used for switching flow between one common connection and the other two connections. The instrument manifold valve is applied to the D/P gauge and D/P transmitter.



ORDERING INFORMATION

BASE MODEL - 1st thru 4th characters

A080 : INSTRUMENT MANIFOLD VALVE

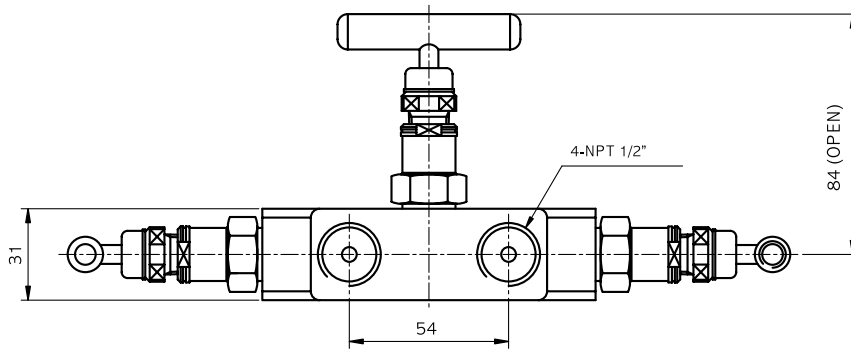
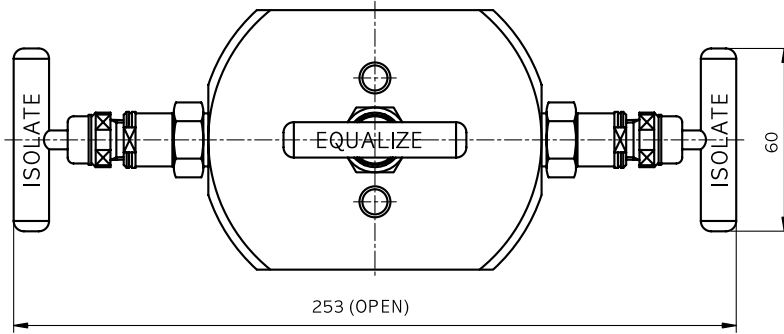
5th Character		6th Character		7th Character	
Code	Manifold Type	Code	Mounting Type	Code	Material
T	3 WAY	1	3 or 5 Way Remote mounting pipe to pipe	A	CS
F	5 WAY	2	3 or 5 Way Remote mounting pipe to pipe w/ vent port	B	316SS
		3	3 or 5 Way Direct mounting pipe to flange	C	316L SS
		4	3 or 5 Way Direct mounting pipe to flange w/ vent port	D	MONEL
		5	"3 Way Direct mounting pipe to flange, Tee Section"	E	INCONEL 718
		6	3 or 5 Way Direct mounting flange to flange		
		Z	Other	Z	Other

8th Character		9th Character		10th Character		11~15th Character	
Code	Packing Material	Code	Connection	Code	Handle	Code	Unused Character
1	PTFE	1	1/4"NPT	1	T Bar	A000	
2	Graphite	2	1/2"NPT				
Z	Other	Z	Other	9	Other		

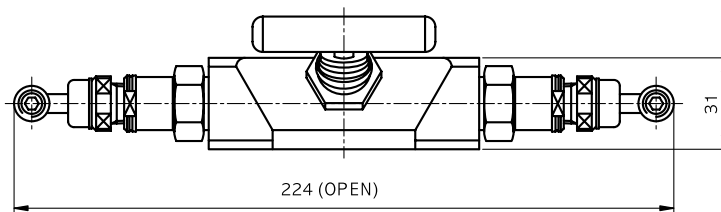
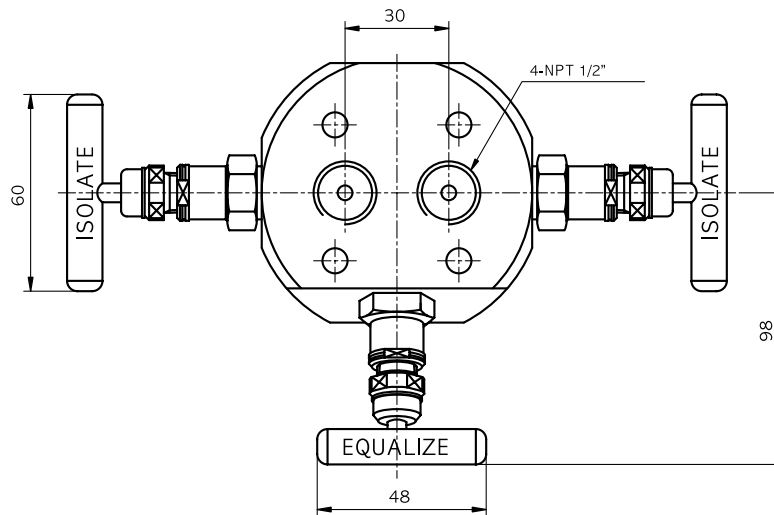
Standard Features

Max. working pressure : 41MPa
 Max. working Temperature : 240 °C
 Packing : PTFE and Graphite

A080 : TYPE OF MOUNTING (1/2)

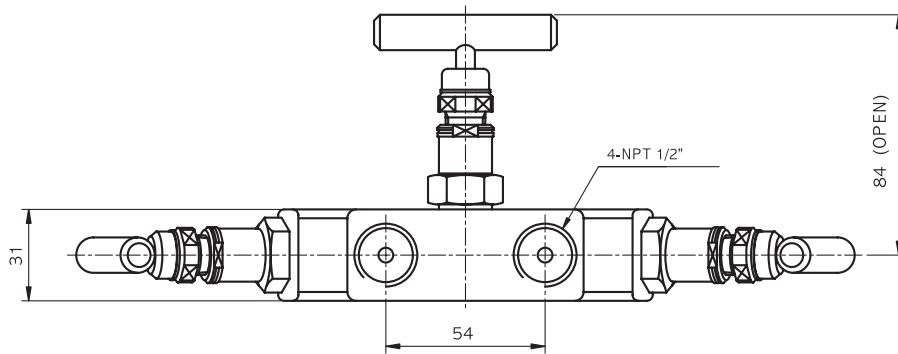
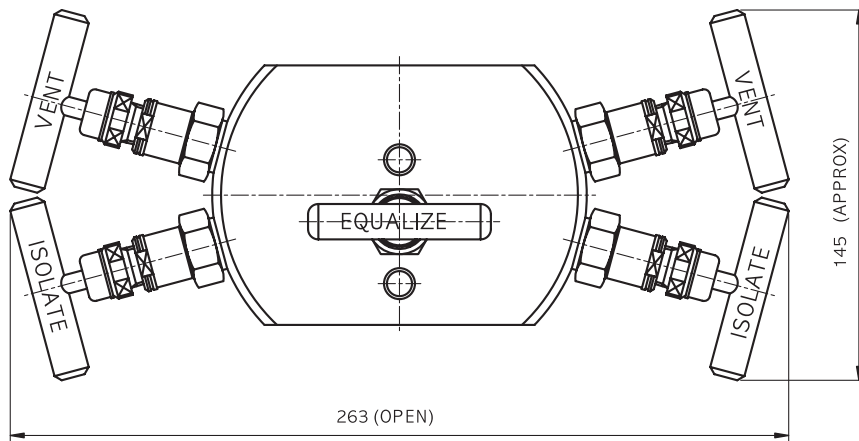


CODE T3



A080 : TYPE OF MOUNTING (2/2)

CODE F1/F2



CONVERSION TABLE

PRESSURE CONVERSION CHART

PSI	ATM	kg/cm ²	in.H ₂ O	mmHg	in.Hg	kPa	Bar	mmH ₂ O
1	0.068046	0.070307	27.7276	51.715	2.03602	6.895	0.06895	704.28104
14.696	1	1.0332	407.484	760	29.921	101.325	1.01325	10350.0936
14.2233	0.96784	1	394.38	735.559	28.959	98.096	0.98067	10000
0.036092	0.002454	0.00253	1	1.8651	0.07343	0.249	0.00249	25.4
0.019336	0.001315	0.001359	0.53616	1	0.03937	0.1333	0.001333	13.618464
0.491154	0.0033421	0.03453	13.6185	25.4	1	3.3864	0.033864	345.9099
0.145	0.00987	0.010197	4.0186	7.5006	0.2953	1	0.01	102.07244
14.5038	0.98692	1.01972	402.156	750.062	29.53	100	1	10214.7624
0.00142	0.000097	0.0001	0.03937	0.0734	0.0029	0.0098	0.000098	1

VOLUME CONVERSION CHART

GALLON (U.S)	CUBIC FEET	CUBIC INCHES	BARRELS (OIL)	CUBIC CM	CUBIC METER	LITER	IMP. GALLON
1	0.1337	231	0.02381	3785	0.003785	3.785	0.8327
7.481	1	1728	0.1781	28320	0.02832	28.32	6.229
0.004329	0.000578	1	0.000103	16.39	0.000016	0.01639	0.003605
42	5.615	9702	1	159000	0.159	158.94	34.97
0.000264	0.000035	0.06102	0.000006	1	0.000001	0.001	0.00022
264.17	35.3144	61023	6.2906	1000000	1	1000	220.1
0.264	0.0353	61.03	0.0629	1000	0.001	1	0.22
1.201	0.1606	277.4	0.0286	4546	0.004546	4.546	1

MASS CONVERSION CHART

lb.	oz.	kg	gm	gal H ₂ O (32F)	long ton	metric tonne	ton
1	16	0.4536	453.6	0.1198	0.000446	0.000453	0.0005
0.0625	1	0.02835	28.35	0.00749	0.000027	0.000028	0.000031
2.205	35.27	1	1000	0.2642	0.009839	0.001	0.001102
0.002205	0.03527	0.001	1	0.000264	0.000000	0.000001	0.000001
8.345	133.5	3.785	3785	1	0.003726	0.003786	0.004171
2240	35840	1016.4	1016363	268.352	1	1.016	1.12
2204.6	35273	1000	1000000	264.11	0.9842	1	1.1023
2000	32000	907.03	909090.9	239.7	0.892857	0.907194	1

DENSITY CONVERSION CHART

lb/ft ³	gm/cm ³	kg/m ³	lb/in ³
1	0.016018	16.0184	0.000578
62.43	1	1000	0.03613
0.06243	0.001	1	0.000036
1728	27.68	27679.8	1