

# Instrument valve

## Model : A080

Spec. sheet no. AD00-08

### Service intended

It is used for switching flow between one common connection and the other two connections. It can be used with pressure gauge and pressure transmitter.

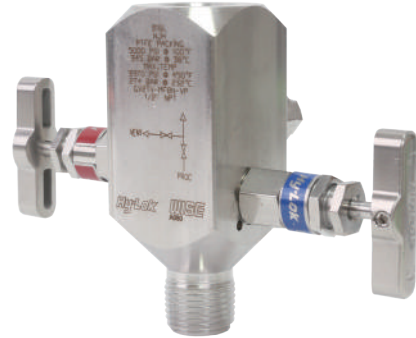


### Ordering information

Base model : 1<sup>th</sup> thru 4<sup>th</sup> characters

### A080 : Instrument valve

Max. static pressure up to 25 MPa



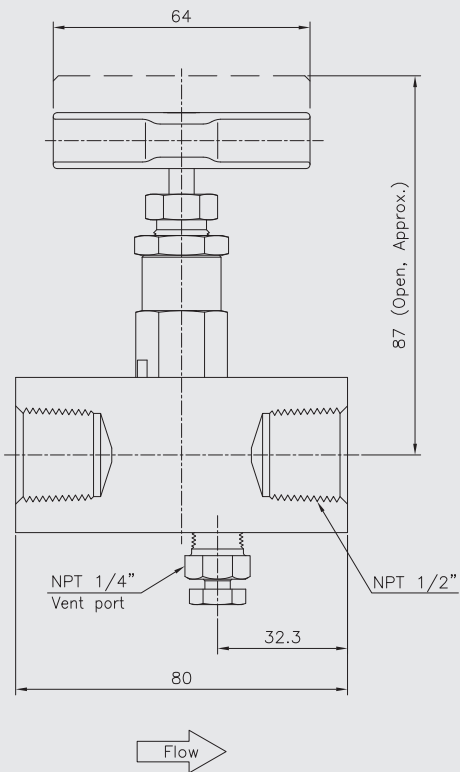
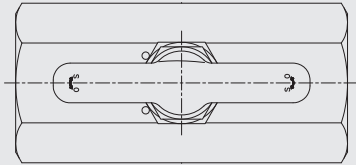
5 <sup>th</sup> character		6 <sup>th</sup> character		7 <sup>th</sup> character		8 <sup>th</sup> character	
Code	Type	Code	Gauge connection type	Code	Gauge connection size	Code	Process connection type
S	Isolation valve	W	NPT (F)	2	¼"	W	NPT (F)
W	2 way manifold	M	NPT (M)	4	½"	M	NPT (M)
		Z	Other	5	¾"	Z	Other
				9	Other		

9 <sup>th</sup> character		10 <sup>th</sup> character		11 <sup>th</sup> character		12 <sup>th</sup> character	
Code	Process connection size	Code	Packing material	Code	Bleed and plug	Code	Bleed and plug size
2	¼"	T	PTFE	A	None	1	¼" NPT (F)
4	½"	G	Graphite	B	Bleed	2	½" NPT (F)
5	¾"	Z	Other	C	Bleed with plug	3	No bleed
				9	Other	4	M8 screw
						Z	Other

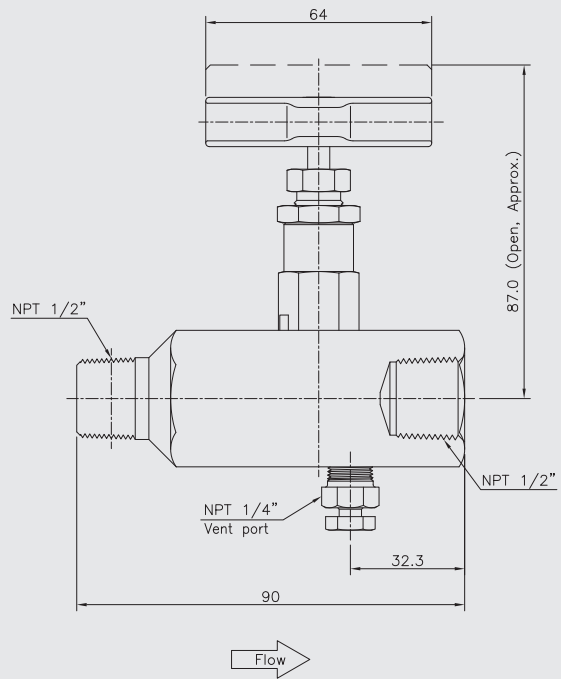
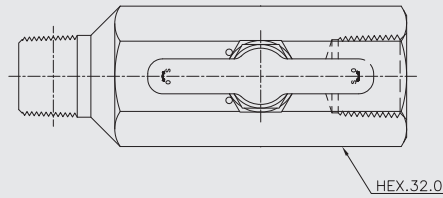
13 <sup>th</sup> character		14 <sup>th</sup> character		15 <sup>th</sup> character	
Code	Material	Code	Unused character	Code	Unused character
B	Hastelloy-C	X	All T bar	O	
C	CS				
H	316SS				
L	316L SS				
J	Monel				
Z	Inconel				
T	Other				

# A080 : Type of mounting (1/2)

Code S

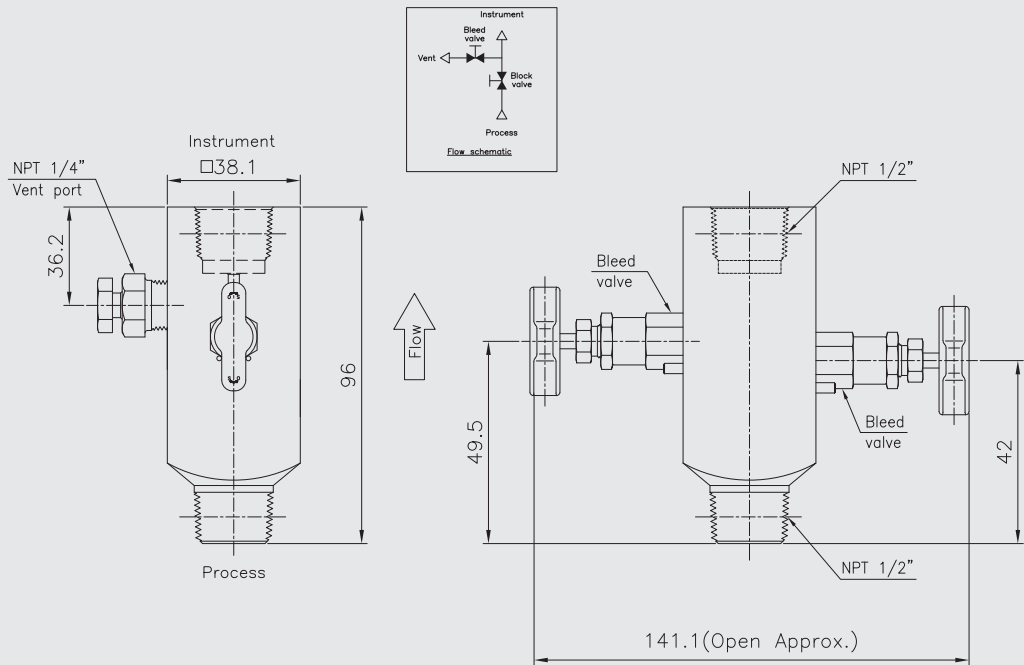


Code S



## A080 : Type of mounting (2/2)

Code W



Code V

