

Instrument manifold valve

Model : A080

Spec. sheet no. AD00-09

Service intended

It is used for switching flow between one common connection and the other two connections.
The instrument manifold valve is applied to a differential pressure gauge and a differential pressure transmitter.



Ordering information

Base model : 1th thru 4th characters

A080 : Instrument manifold valve

Max. static pressure up to 41 MPa



5 th character		6 th character			7 th character	
Code	Manifold type	Code	Mounting type	Code	Material	
T	3 way	1	3 or 5 way remote mounting pipe to pipe	B	316SS	
F	5 way	2	3 or 5 way remote mounting pipe to pipe w/vent port	C	316L SS	
		3	3 or 5 way direct mounting pipe to flange	D	Monel	
		4	3 or 5 way direct mounting pipe to flange w/vent port	E	Inconel	
		5	3 way direct mounting pipe to flange, tee section	Z	Other	
		6	3 or 5 way direct mounting flange to flange			
		Z	Other			

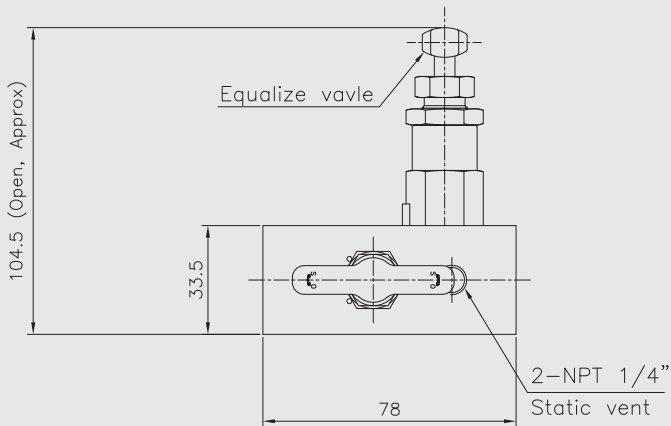
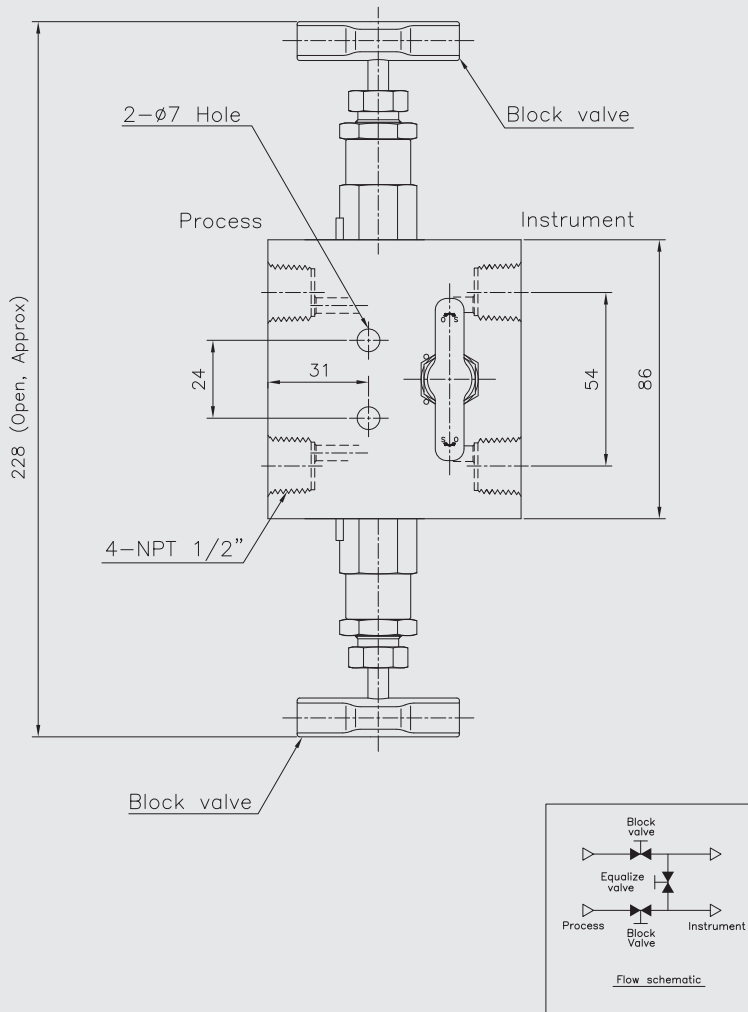
8 th character		9 th character		10 th character		11 th character	
Code	Packing material	Code	Connection	Code	Handle	Code	Unused character
2	PTFE	T	¼" NPT	1	T bar	0000	
4	Graphite	G	½" NPT	9	Other		
		Z	Other				

Standard features

Max. working pressure : 41 MPa
Max. working temperature : 240°C
Packing : PTFE : (-54 ~ 232°C)
Graphite : (-54 ~ 648°C)

A080 : Type of mounting (1/2)

Code T1/T2



A080 : Type of mounting (2/2)

Code F2

