

Sunshade

Model : A090

Spec. sheet no. AD00-10

Service intended

Sunshade provides the protection for instruments. It prevents the instrument calibration drift due to temperature changes caused by solar radiation. It can be mounted on a typical 2 inch stanchion pipe and it can be removed easily for full instrument access.



Application

Simple shielding of enclosures, instruments and fittings providing protection against

- Sun light
- Dirt accumulation
- Exposure to atmospheric conditions



Features

- Reduces the surface temperature of instruments or enclosure
- Minimizes instrument drift
- Operating temperature: -15~100°C
- UV coating

Ordering information

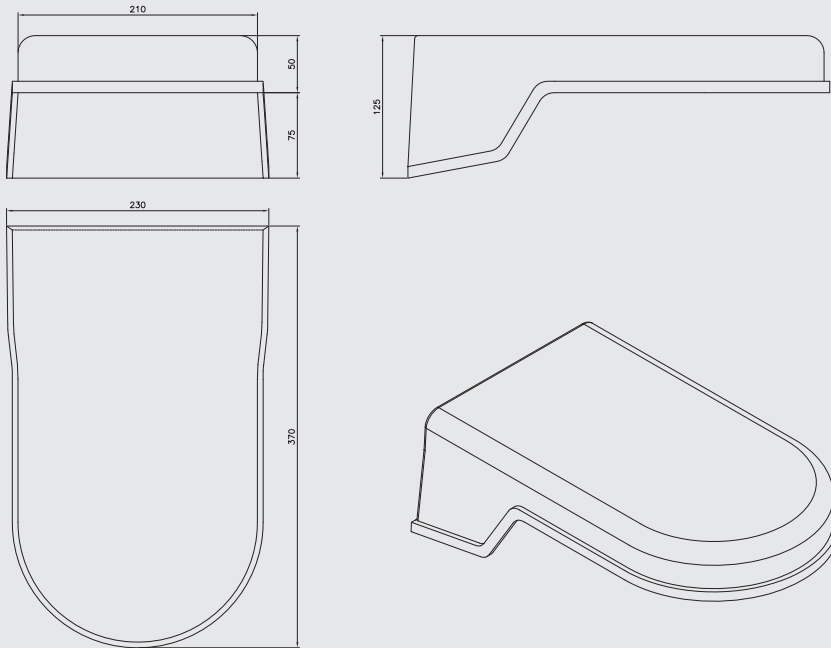
Base model : 1th thru 4th characters

5 th ~ 9 th character		10 th character		11 th character		12 th character	
Code	Sunshade W x D x H (mm)	Code	Sunshade Material	Code	Gauge bracket	Code	Gauge bracket material
SS230	230 x 370 x 125	1	GRP	0	None	0	None
SS410	410 x 350 x 170	2	FRP	1	Ø90	1	304SS
S0000	Other	3	304SS	2	Ø93	2	316SS
		4	316SS	3	Ø103	3	316L SS
		5	Carbon steel	4	Ø130	Z	Other
		Z	Other	5	Other		

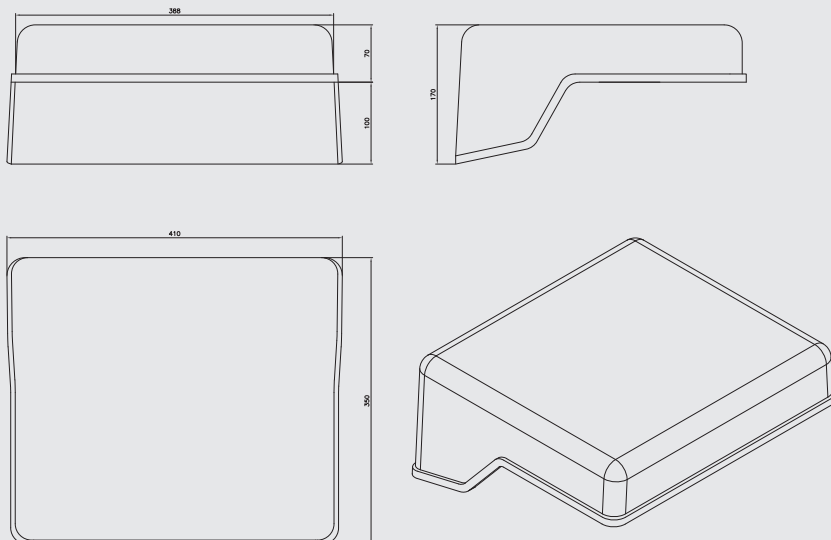
13 th character		14 th character		15 th character	
Code	Mounting position	Code	Pipe stanchion	Code	Mounting bracket
0	None	0	None	0	None
1	Back mounting	1	Carbon steel	Z	Other
2	Top mounting	2	304SS		
3	2" U-bolt mounting	3	316SS		
4	Pipe band mounting				
5	L-type mounting				
6	Special mounting				
Z	Other				

A090 : Dimensions (unit : mm)

SS230



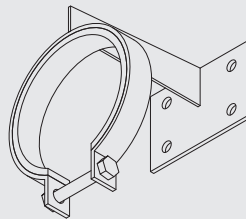
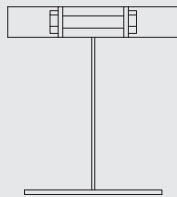
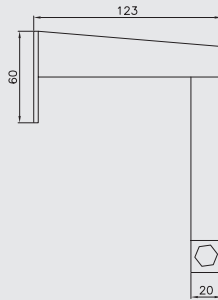
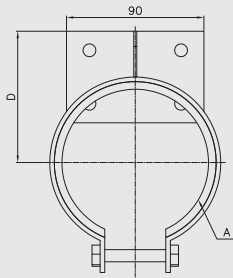
SS410



A090 : Mounting accessories

Gauge bracket (11th character)

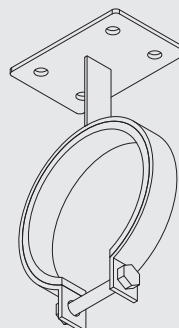
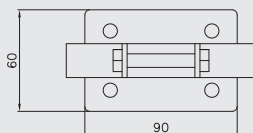
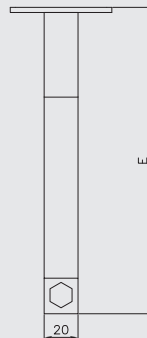
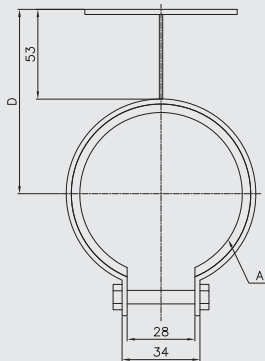
Back mounting



Unit : mm

No.	A	D ±2
1	Ø90	83
2	Ø93	84.5
3	Ø103	88
4	Ø130	103

Top Back mounting



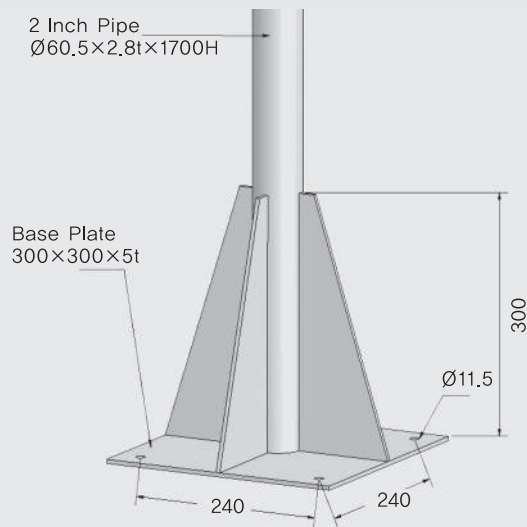
Unit : mm

No.	A	D ±2	E ±2
1	Ø90	106	177
2	Ø93	107	180
3	Ø103	111	187
4	Ø130	126	217

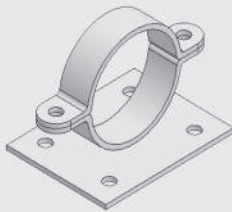
A090 : Mounting accessories

2" pipe stanchion (14th character)

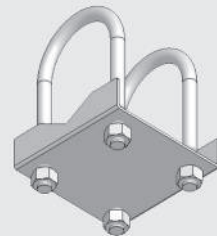
Code 1 : PS



Mounting bracket (15th character)

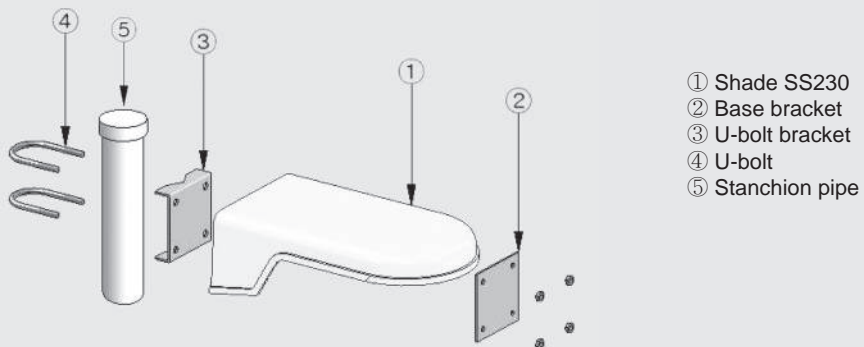


Code 1 : 2" pipe band for mounting (PB)



Code 2 : 2" U-bolt type shackle for mounting (UB)

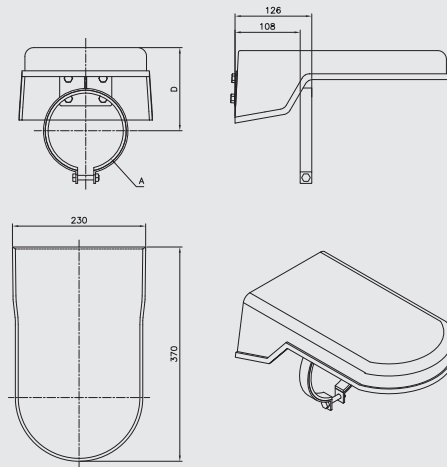
A090 : Mounting example for shade SS230



A090 : Mounting example for shade SS230

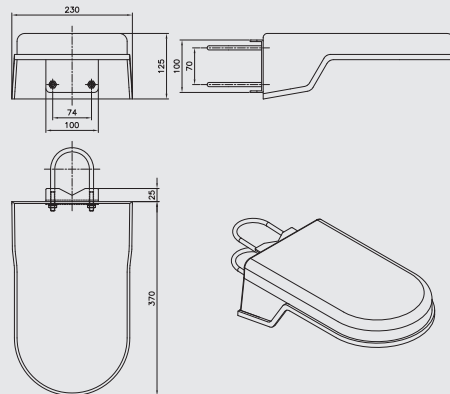
Back mounting

(Total weight \approx 1.5 kg)



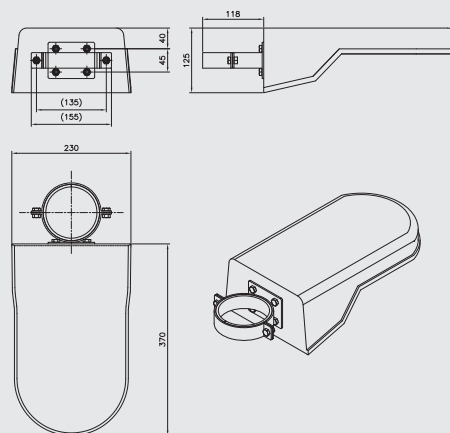
Top mounting

(Total weight \approx 1.55 kg)



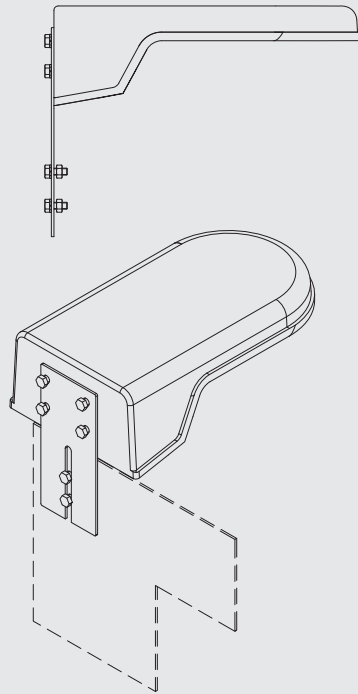
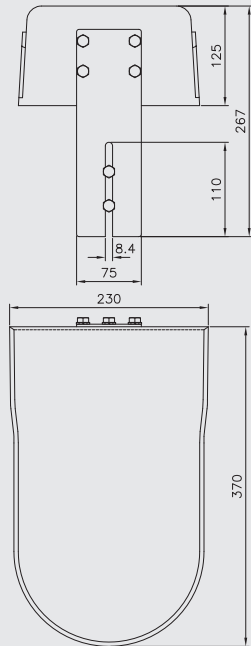
2" U-bolt mounting

(Total weight \approx 1.57 kg)



A090 : Mounting example for shade SS230

L-type fixed mounting (Total weight \approx 1.5 kg)



Special mounting (Total weight \approx 2.2 kg)

