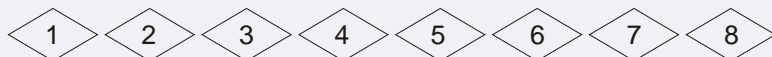


KOFLOW

BALL VALVES

Ball Valve Model Schedule Illustration



① Codes of Nominal Diameter

British series indicated by A××in value, and metric series indicated by G××mm value.

② Codes of Driving Modes (For handle or lever drive, this code can be omitted.)

3—Manual Operator; 6—Pneumatic; 6S—Pneumatic Spring Return; 6A—Pneumatic Control; 5—Gear Drive;
7—Hydraulic; 8—Airdraulic; 8H—Airdraulic with Emergency Cutoff; 9—Electric

③ Codes of Valve Types

FB—Float Ball Valve; TB—Fixed Ball Valve

④ Codes of Nominal Pressure Class

1—PN1.6 class150; 2—PN2.5; 3—class300; 4—PN4.0 class400; 6—PN6.4 class600
9—class900; 10—PN10.0; 15—class1500; 16—PN16.0; 20—PN20.0; 25—class2500;

⑤ Codes of Connecting Modes

RF—Raised Face Flange; FF—Fully Flat Face Flange; MFM—Male and Female Flange; TG—Tongued and Grooved Flange;
RJ—Ring Junction Flange; BW—Butt Welding; SW—Socket Welding; NPT—Threaded Connection

⑥ Codes of Structural Modes

1—Full Bore Straightway; 2—Reducing Straightway; 3T—T-shaped Three-Way; 3L—L-shaped Three-way; 4—Four-way;
5—Overall Top Installed (Full Bore); 5A—Overall Top Installed (Reducing); 6—Track Ball Valve (Full Bore); 6A—Track Ball Valve (Reducing);
7H—Eccentric Half Ball; 7F—Eccentric Full Ball; 8—All Welded (Full Bore); 8A—All Welded (Reducing)

⑦ Codes of Shell Materials

C—WCB; C5—C5; C6—WC6; C9—WC9; BL—LCB; CL—LCC
8—CF8; 8M—CF8M; 3—CF3; 3M—CF3M; ML—MONEL

⑧ Codes of Ball Materials

1—WCB; 2—CF8; 3—CF8M; 4—CF3; 5—CF3M
1F—A105or25 2F—304; 3F—316; 4F—304L; 5F—316L

⑨ Codes of Seat Materials

F—PTFE; N—Nylon; G—Carbon Fiber; P—PPL; E—PEEK; M—MOLON

Note:* The letters of “K”、“E”、“O” and “J” are placed in front of the codes of valve types, respectively representing hydrogen sulphide resistant, extension bar, oxygen, and jacketed ball valve.

Example: A8 " TB3RF1C2F means API 8 " worm gear drive, fixed ball valve, 300Lb, raised face flange, full bore, body material WCB, ball material CF8, and seat of F4.

* The figures mentioned hereunder don't have the codes of caliber and valve material, they are to be specified by users.

Technical Specifications of Ball Valve

Technical Specifications	API Series	GB Series
Design Specifications	API6D、API608、BS5351	GB/T12237、JB/T7745
Pressure and Temperature Class	ASME B16.34	GB/T9124
Face-to-face	ASME B16.10	GB/T12221、GB/T15188.1
Flange Type and Dimensions	ASME B16.5、ASME B16.47	GB/T9113、JB/T79
Butt Welded	ASME B16.25	GB/T12224
Socket Welded	ASME B16.11	/
Threaded	ASME B16.1.20	/
Inspection and Test	API598、API6D	JB/T9092、GB/T13927
Fireproofing Test	API6FA、API607	JB/T6899-1993
Quality Inspection of Cast Steel Body	MSS -SP-55	JB/T9092-1999

FULLY WELDED BALL VALVE

Structural features

The structural features of fully welded ball valve still include the following besides the above-mentioned advantages of fixed ball valve: it adopts the fully welded structure without middle flange leakage and is connected to the pipeline with butt welding or flange connection. The former is free of the leakage of the flange connection between pipeline and valve while the latter is easy for valve disassembly and maintenance. According to different working media, the materials for seat sealing surface can adopt PTFE, nylon, alloy steel, STL and so on, which can meet different requirements for temperature, pressure and corrosion within a large range. Different actuator modes are adopted to meet the valve control requirement by different working conditions. And the biggest feature is that its weight is about 10-20% lighter than that of the bolt structure type, and that it has such advantages as compactness, light weight, beautiful appearance and being lasting and durable compared with the normal ball valves with the same specifications. Having a long service life, it is widely applied in natural gas long-distance and buried pipelines with serious corrosion containing such gases as hydrogen sulfide; the ball valve with fully welded body can be buried underground directly to free its internal components from erosion and it has a service life as long as 30 years, which is the optimal valve for petroleum and natural gas pipelines.

Our fully welded ball valve is mainly divided into three structural types: plate welding, forge welding and cast welding. It is widely applied in buried pipelines for water delivery, chemical engineering, petroleum and natural gas, which can extend the interval of replacing and overhauling the valve. It has been well-received by numerous users for its high quality.

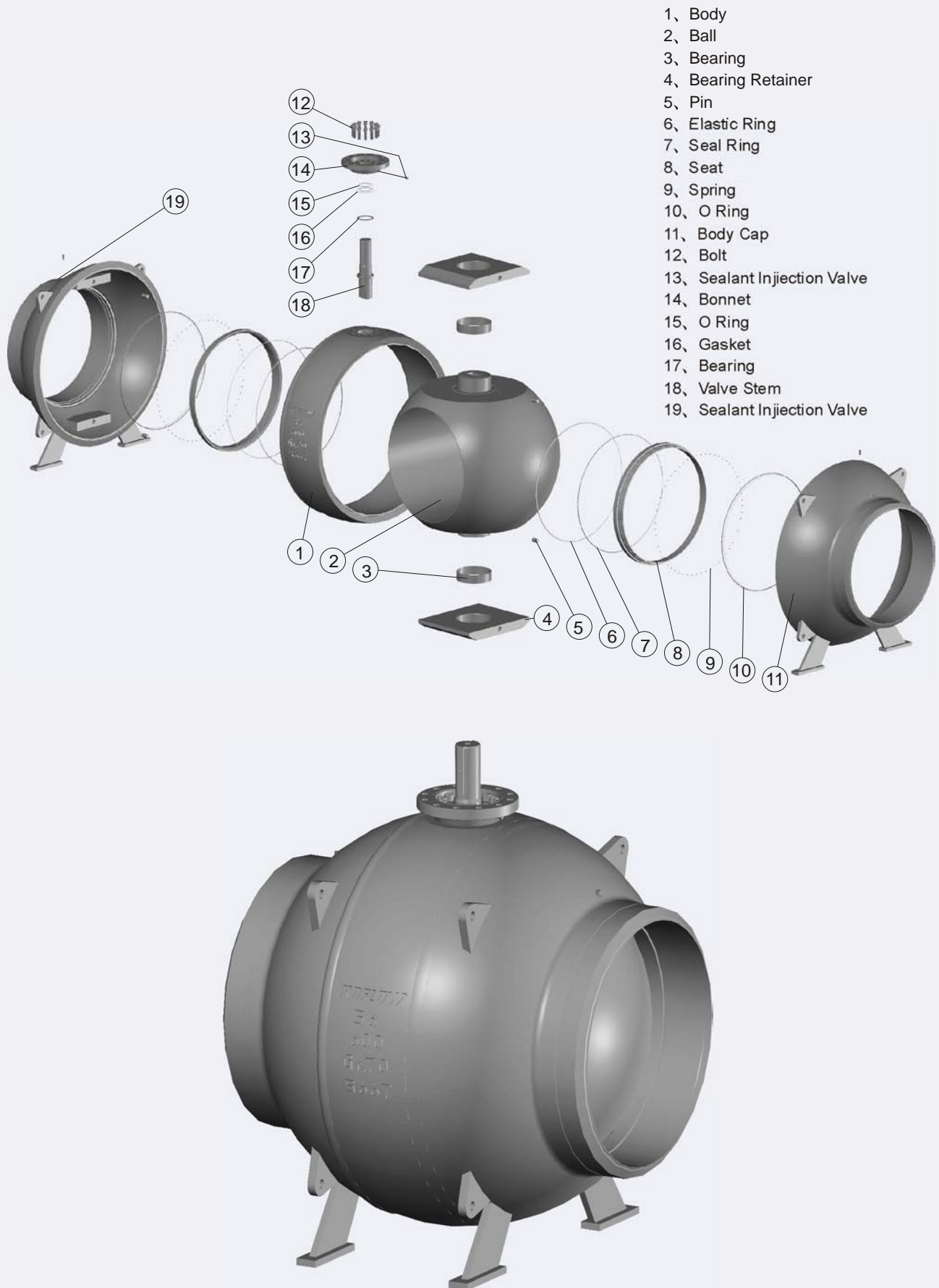
Product Line

Nominal Diameter		Class						
DN	in	150	300	400	600	900	1500	2500
50	2			●/△			☆/△	
80×50	3×2			●/△			☆/△	
80	3			☆/△			☆/△	
100×80	4×3			●/△			☆/△	
100	4			●/△			☆/△	
150×100	6×4			●/△			☆/△	
150	6			●/☆/△/★		☆/△/★	☆/△/★	
200×150	8×6	☆/△/★		●/☆/△/★			☆/△/★	
200	8			☆/△/★			☆/★	☆/★
250×200	10×8			☆/△/★			☆/★	☆/★
250	10			☆/△/★			☆/★	☆/★
300×250	12×10			☆/△/★			☆/★	☆/★
300	12			☆/△/★			☆/★	☆/★
350×300	14×12			☆/△/★			☆/★	—
350	14			☆/△/★			☆/★	—
400×350	16×14			☆/△/★			☆/★	—
400	16			☆/△/★			☆/★	—
450×400	18×16			☆/△/★			☆/★	—
450	18			☆/△/★			☆/★	—
500×450	20×18			☆/△/★			☆/★	—
500	20			☆/△/★			☆/★	—
550	22			☆/△/★			☆/★	—
600×550	24×22			☆/△/★			☆/★	—
600	24			☆/△/★			☆/★	—
650×600	26××24			☆/△/★			☆/★	—
650	26			☆/△/★			—	—
700×650	28×26			☆/△/★			—	—
700	28			☆/△/★			—	—
750×700	30×28			☆/△/★			—	—
750	30			☆/△/★			—	—
800×750	32×30			☆/△/★			—	—
800	32			☆/△/★			—	—
850	34			☆/★			—	—
900×850	36×34			☆/△/★			—	—
900	36			☆/★			—	—
1000	40			☆/★		—	—	—
1050×900	42×36			☆/★		—	—	—
1050	42			☆/★		—	—	—
1200	48			☆/★		—	—	—
1500	56			☆/★		—	—	—

Note: 1、● stands for handle operated valves; ☆ stands for gearbox operated valves; △ stands for air operated valves; ★ stands for electrically operated valves; stands for no option of this. Those not covered in the table can be custom made to users' requirements.

FULLY WELDED BALL VALVE

Valve Structural Diagram (Sheet or Cast Welded Structure)



FULLY WELDED BALL VALVE

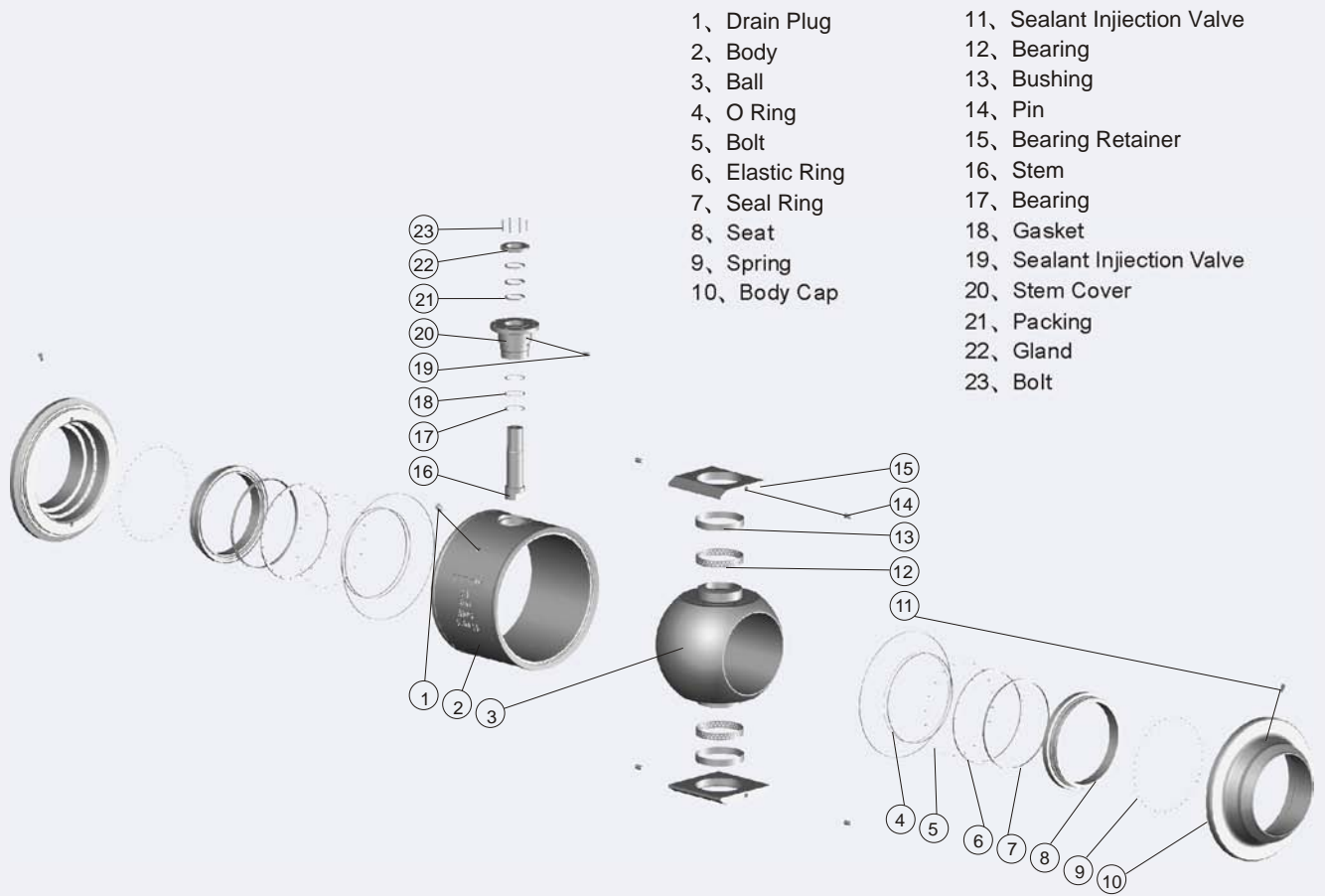
Materials of Main Parts

No.	Part Name	Materials		
		Carbon Steel	Stainless Steel	Low Temperature Steel
1	Body	A105/A216 WCB	A182 F316/A351 CF8M	A350 LF2/A352 LCB
2	Ball	A105+ENP/A216 WCB+ENP	A182 F316/A351 CF8M	A350 LF2/A352 LB
3	Bearing	PTFE+CS	PTFE+SS	PTFE+SS
4	Bearing Retainer	A105	A182 F316	A350 LF2
5	Pin	A276 410	A276 316	A276 316
6	Elastic Ring	A105	A182 F316	A350 LF2
7	Seal Ring	PTFE、NYLON、PEEK、PCTFE,VITON		
8	Seat	A105+ENP	A182 F316	A350 LF3
9	Spring	Inconel600		
10	O Ring	VITON		
11	Body Cap	A105/A216 WCB	A182 F316/A351 CF8M	A350 LF2/A352 LCB
12	Bolt	A193 B7	A193 B8	A320 L7
13	Sealant Injection Valve	A105+ENP	A182 F316	A350 LF2
14	Bonnet	A105 /A216 WCB	A182 F316 /A351 CF8M	A350 LF2 /A352 LCB
15	O Ring	VITON		
16	Gasket	PTFE/PTFE+SS		
17	Bearing	PTFE+CS	PTFE+SS	PTFE+SS
18	Valve Stem	A182 F6a	A182 F316	A182 F316
19	Sealant Injection Valve	A105+ENP	A182 F316	A350 LF2

Note: 1. Different materials for internal components can be adopted in accordance with different working conditions and customer requirements.
 2. After all internal components are loaded, gather such parts up as body, left and right assemblies, ball and seat to be welded after passing the pressure and inspection.

FULLY WELDED BALL VALVE

Valve Structural Diagram (Forge Welded Structure)



FULLY WELDED BALL VALVE

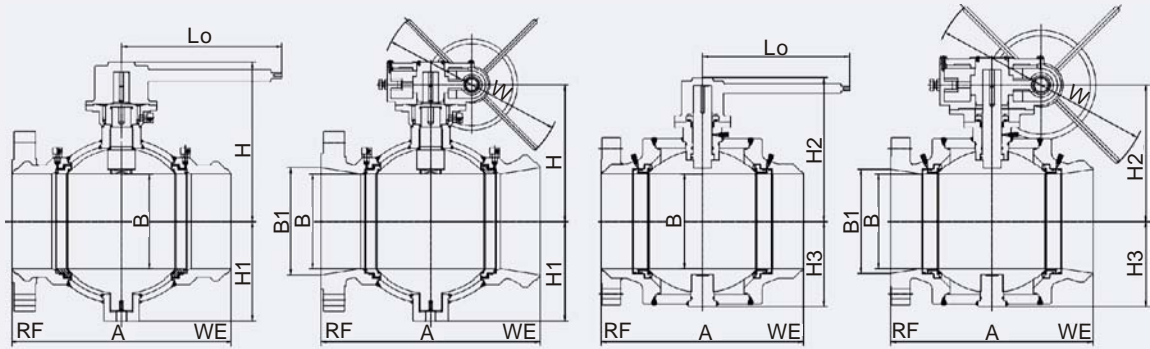
Materials of Main Parts

No.	Part Name	Materials		
		Carbon Steel	Stainless Steel	Low Temperature Steel
1	Drain Plug	A105+ENP	A182 F316	A350 LF2
2	Body	A105	A182 F316	A350 LF2
3	Ball	A105+ENP	A182 F316	A350 LF2
4	O Ring	氟橡胶VITON		
5	Bolt	A193 B8		
6	Elastic Ring	A105+ENP	A182 F316	A350 LF2
7	Seal Ring	PTFE、NYLON、PEEK、PCTFE、VITON		
8	Seat	A105+ENP	A182 F316	A350 LF2
9	Spring	Inconel600		
10	Body Cap	A105	A182 F316	A350 LF2
11	Sealant Injection Valve	A105+ENP	A182 F316	A350 LF2
12	Bearing	Copper Alloy		
13	Bushing	PTFE+CS	PTFE+SS	PTFE+SS
14	Pin	A276 410	A276 316	A276 316
15	Bearing Retainer	A105	A182 F316	A350 LF2
16	Stem	A182 F6a	A182 F316	A182 F316
17	Bearing	SS	SS	SS
18	Gasket	PTFE	PTFE	PTFE
19	Sealant Injection Valve	A105+ENP	A182 F316	A350 LF2
20	Stem Cover	A105+ENP	A182 F316	A350 LF2
21	Packing	Graphite		
22	Gland	A105+ENP	A182 F316	A350 LF2
23	Bolt	A193 B8	A193 B8	A320 L7

Note: 1. Different materials for internal components can be adopted in accordance with different working conditions and customer requirements.
 2. After all internal components are loaded, gather such parts up as body, left and right assemblies, ball and seat to be welded after passing the pressure and inspection.

FULLY WELDED BALL VALVE

CLASS 150~2500



Full Bore Welded (Sheet Welded) Ball Valves

Reduced Bore Welded (Sheet Welded) Ball Valves

Full Bore Welded (Forge Welded) Ball Valves

Reduced Bore Welded (Forge Welded) Ball Valves

Figure No.

A(3)TB1RF8

A(3)TB1BW8

A(3)TB1RF8A

A(3)TB1BW8A

Main Dimensions

CLASS 150 mm

DN	NPS	A			B	B1	H	H1	H2	H3	Lo	W	Weight	
		RF	WE	RJ									RF	WE
50	2	178	216	191	51	/	161	100	155	82	600	/	18	20
80×50	3×2	203	283	216	51	77	161	100	155	82	600	/	25	23
80	3	203	283	216	77	/	189	130	195	105	600	/	28	34
100×80	4×3	229	305	241	77	102	189	130	195	105	600	/	45	39
100	4	229	305	241	102	/	214	151	230	130	900	/	52	45
150×100	6×4	394	457	406	102	152	214	151	230	130	900	/	77	68
150	6	394	457	406	152	/	265	201	251	175	900	/	91	102
200×150	8×6	457	521	470	152	203	265	201	251	175	900	/	156	132
200	8	457	521	470	203	/	319	254	337	205	/	450	194	204
250×200	10×8	533	559	546	203	254	319	254	337	205	/	450	281	238
250	10	533	559	546	254	/	369	308	385	245	/	450	320	295
300×250	12×10	610	635	622	254	305	369	308	385	245	/	450	431	381
300	12	610	635	622	305	/	512	368	414	300	/	450	549	499
350×300	14×12	686	762	699	305	337	512	368	414	300	/	450	581	526
350	14	686	762	699	337	/	537	372	447	320	/	600	603	558
400×350	16×14	762	838	775	337	387	537	372	447	320	/	600	658	603
400	16	762	838	775	387	/	572	407	545	340	/	600	748	703
450×400	18×16	864	914	876	387	438	572	407	545	340	/	600	685	771
450	18	864	914	876	438	/	665	489	513	360	/	600	1055	998
500×450	20×18	914	991	927	438	489	665	489	513	360	/	600	1093	1043
500	20	914	991	927	489	/	705	527	553	455	/	450	1501	1252
550×500	22×20	991	1092	1062	489	540	705	527	553	455	/	450	1565	1383
550	22	991	1092	1062	540	/	742	566	585	505	/	450	1758	1592
600×550	24×22	1067	1143	1080	540	591	742	566	585	505	/	450	1950	1656
600	24	1067	1143	1080	591	/	778	602	663	555	/	450	2096	1932
650×600	26×24	1143	1245	1168	591	635	705	527	663	555	/	450	2449	2313
650	26	1143	1245	1168	635	/	872	673	685	595	/	600	2903	2540
700×650	28×26	1295	1397	1270	635	736	872	673	685	595	/	600	3193	2767
700	28	1245	1346	1270	686	/	907	708	723	630	/	600	3266	2948
750×700	30×28	1295	1397	1321	686	736	907	708	723	630	/	600	4037	3447
750	30	1295	1397	1321	736	/	949	750	777	665	/	600	4309	3992
800×750	32×30	1372	1524	1400	736	781	949	750	777	665	/	600	4355	3856
800	32	1372	1524	1400	781	/	973	787	923	700	/	700	4390	/
850	34	1473	1626	1502	832	/	1016	817	954	740	/	750	6124	5443
900×850	36×34	1524	1727	1552	832	876	949	750	954	740	/	750	6350	5670
900	36	1524	1727	1552	876	/	1057	858	986	770	/	900	6872	6577
1000	40	1753	1956	/	978	/	1275	1010	1061	880	/	750	/	/
1050×900	42×36	1855	2083	/	876	1022	1057	858	986	880	/	750	/	/
1050	42	1855	2083	/	1022	/	1318	1062	1093	920	/	1000	/	/
1200	48	2134	2388	/	1168	/	1475	1187	1217	980	/	1000	/	/
1400	56	2300	2250	/	1360	/	1768	1282	1518	1230	/	1000	27205	25720

FULLY WELDED BALL VALVE

Main Dimensions CLASS 300 mm

DN	NPS	A			B	B1	H	H1	H2	H3	Lo	W	Weight	
		RF	WE	RJ									RF	WE
50	2	216	216	232	51	/	161	100	155	82	600	/	23	20
80×50	3×2	283	283	298	51	77	161	100	155	82	600	/	29	23
80	3	283	283	298	77	/	189	130	195	105	600	/	36	34
100×80	4×3	305	305	321	77	102	189	130	195	105	600	/	43	39
100	4	305	305	321	102	/	214	151	230	130	900	/	57	45
150×100	6×4	403	403	419	102	152	214	151	230	130	900	/	82	68
150	6	403	403	419	152	/	265	201	251	175	900	/	113	102
200×150	8×6	502	521	518	152	203	265	201	251	175	900	/	166	132
200	8	502	521	518	203	/	319	254	337	205	/	450	206	204
250×200	10×8	568	559	584	203	254	319	254	337	205	/	450	295	238
250	10	568	559	584	254	/	369	308	385	245	/	450	340	295
300×250	12×10	648	635	664	254	305	369	308	385	245	/	450	476	381
300	12	648	635	664	305	/	512	368	414	300	/	450	576	499
350×300	14×12	762	762	778	305	337	512	368	414	300	/	450	583	526
350	14	762	762	778	337	/	537	372	447	320	/	600	621	558
400×350	16×14	838	838	854	337	387	537	372	447	320	/	600	753	603
400	16	838	838	854	387	/	572	407	545	340	/	600	782	703
450×400	18×16	914	914	930	387	438	572	407	545	340	/	600	903	771
450	18	914	914	930	438	/	665	489	513	360	/	600	1225	998
500×450	20×18	991	991	1010	438	489	665	489	513	360	/	600	1406	1043
500	20	991	991	1010	489	/	705	527	553	455	/	450	1542	1252
550×500	22×20	1092	1092	1114	489	540	705	527	553	455	/	450	1633	1383
550	22	1092	1092	1114	540	/	742	566	585	505	/	450	1837	1592
600×550	24×22	1143	1143	1165	540	591	742	566	585	505	/	450	2041	1656
600	24	1143	1143	1165	591	/	778	602	663	555	/	450	2445	1932
650×600	26×24	1245	1245	1270	591	635	705	527	663	555	/	450	2608	2313
650	26	1245	1245	1270	635	/	872	673	685	595	/	600	3005	2540
700×650	28×26	1346	1346	1372	635	686	872	673	685	595	/	600	3293	2767
700	28	1346	1346	1372	686	/	907	708	723	630	/	600	3504	2948
750×700	30×28	1397	1397	1422	686	736	907	708	723	630	/	600	4128	3447
750	30	1397	1397	1422	736	/	949	750	777	665	/	600	4536	3992
800×750	32×30	1524	1524	1553	736	781	949	750	777	665	/	600	4604	3992
800	32	1524	1524	1553	781	/	973	787	923	700	/	700	4900	/
850	34	1626	1626	1654	832	/	1016	817	954	740	/	750	6668	5443
900×850	36×34	1727	1727	1756	832	876	949	750	954	740	/	750	6963	5897
900	36	1727	1727	1756	876	/	1057	858	986	770	/	900	7394	7031
1000	40	1956	1956	/	978	/	1275	1010	1061	880	/	750	/	/
1050×900	42×36	2083	2083	/	876	1022	1057	858	986	880	/	750	7590	/
1050	42	2083	2083	/	1022	/	1318	1062	1093	920	/	1000	8200	/
1200	48	2170	2388	/	1168	/	1475	1187	1217	980	/	1000	/	/
1400	56	2300	2250	/	1360	/	1768	1282	1518	1230	/	1000	27205	25720

FULLY WELDED BALL VALVE

Main Dimensions

CLASS 400 mm

DN	NPS	A			B	B1	H	H1	H2	H3	Lo	W	Weight	
		RF	WE	RTJ									RF	WE
50	2	292	292	295	51	/	161	100	155	105	600	/	27	20
80×50	3×2	356	356	359	51	77	161	100	155	105	600	/	36	23
80	3	356	356	359	77	/	189	130	195	130	1000	/	39	34
100×80	4×3	406	406	410	77	102	189	130	195	130	1000	/	57	39
100	4	406	406	410	102	/	214	151	230	164	1000	/	68	45
150×100	6×4	495	495	498	102	152	214	151	230	164	1000	/	86	68
150	6	495	495	498	152	/	265	201	306	189	/	600	136	102
200×150	8×6	597	597	600	152	203	265	201	306	189	/	600	192	132
200	8	597	597	600	203	/	319	254	366	245	/	600	249	204
250×200	10×8	673	673	676	203	254	319	254	366	245	/	600	276	238
250	10	673	673	676	254	/	369	308	385	290	/	600	386	295
300×250	12×10	762	762	765	254	305	369	308	385	290	/	600	463	381
300	12	762	762	765	305	/	512	368	438	343	/	600	635	499
350×300	14×12	826	826	829	305	337	512	368	438	343	/	600	676	526
350	14	826	826	829	337	/	537	402	491	403	/	600	748	558
400×350	16×14	902	902	905	337	387	537	402	491	403	/	600	866	603
400	16	902	902	905	387	/	629	453	541	432	/	800	1009	703
450×400	18×16	978	978	981	387	438	665	489	541	432	/	800	1089	871
450	18	978	978	981	438	/	665	489	573	488	/	800	1293	998
500×450	20×18	1054	1054	1060	438	489	665	489	573	488	/	800	1452	1202
500	20	1054	1054	1060	489	/	762	562	650	525	/	800	1701	1361
550×500	22×20	1143	1143	1153	540	489	762	562	650	525	/	800	1928	1497
550	22	1143	1143	1153	540	/	801	600	737	574	/	800	2155	1792
600×550	24×22	1232	1232	1241	489	591	801	600	737	574	/	800	2291	1950
600	24	1232	1232	1241	591	/	837	636	759	612	/	800	2540	2155
650×600	26×24	1308	1308	1321	591	635	837	636	759	612	/	800	2835	2313
650	26	1308	1308	1321	635	/	872	673	793	649	/	800	3221	2540
700×650	28×26	1397	1397	1410	635	686	872	673	793	649	/	1000	3515	2767
700	28	1397	1397	1410	686	/	1041	784	836	686	/	1000	3883	2948
750×700	30×28	1524	1524	1537	686	736	907	708	836	686	/	1000	4309	3447
750	30	1524	1524	1537	736	/	1083	826	887	726	/	1000	4808	3992
800×750	32×30	1651	1651	1667	736	781	949	750	887	726	/	1000	5216	4241
800	32	1651	1651	1667	781	/	973	787	915	767	/	1000	6150	4559
850	34	1778	1778	1794	832	/	1151	894	951	804	/	1000	6985	5579
900×850	36×34	1880	1880	1895	736	876	1151	894	951	804	/	1000	7258	5897
900	36	1880	1880	1895	876	/	1192	935	987	838	/	1000	8165	7031
1000	40	1981	1981	/	978	/	1357	1067	1212	936	/	1000	11567	10093
1050×900	42×36	2057	2057	/	876	1022	1357	1067	1212	936	/	1000	10300	/
1050	42	2057	2057	/	1022	/	1449	1109	1354	977	/	1000	13041	11227
1200	48	2311	2311	/	1168	/	1681	1300	1555	1113	/	1000	18123	15604
1400	56	2710	2710	/	1360	1360	1740	1504	1630	1254	/	1000	/	31800

FULLY WELDED BALL VALVE

Main Dimensions

CLASS600
mm

DN	NPS	A			B	B1	H	H1	H2	H3	Lo	W	Weight	
		RF	WE	RTJ									RF	WE
50	2	292	292	295	51	/	161	100	155	105	600	/	27	20
80×50	3×2	356	356	359	51	77	161	100	155	105	600	/	36	23
80	3	356	356	359	77	/	189	130	195	130	1000	/	39	34
100×80	4×3	432	432	435	77	102	189	130	195	130	1000	/	68	39
100	4	432	432	435	102	/	214	151	230	164	1000	/	75	45
150×100	6×4	559	559	562	102	152	214	151	230	164	1000	/	113	68
150	6	559	559	562	152	/	265	201	306	189	/	600	163	102
200×150	8×6	660	660	664	152	203	265	201	306	189	/	600	213	132
200	8	660	660	664	203	/	319	254	366	245	/	600	295	204
250×200	10×8	787	787	791	203	254	319	254	366	245	/	600	386	238
250	10	787	787	791	254	/	369	308	385	290	/	600	454	295
300×250	12×10	838	838	841	254	305	369	308	385	290	/	600	522	381
300	12	838	838	841	305	/	512	368	438	343	/	600	685	499
350×300	14×12	889	889	892	305	337	512	368	438	343	/	600	744	526
350	14	889	889	892	337	/	537	402	491	403	/	600	866	558
400×350	16×14	991	991	994	337	387	537	402	491	403	/	600	1009	603
400	16	991	991	994	387	/	629	453	541	432	/	800	1089	703
450×400	18×16	1092	1092	1095	387	438	665	489	541	432	/	800	1179	871
450	18	1092	1092	1095	438	/	665	489	573	488	/	800	1340	998
500×450	20×18	1194	1194	1200	438	489	665	489	573	488	/	800	1588	1202
500	20	1194	1194	1200	489	/	762	562	650	525	/	800	1860	1361
550×500	22×20	1295	1295	1305	540	489	762	562	650	525	/	800	2019	1497
550	22	1295	1295	1305	540	/	801	600	737	574	/	800	2449	1792
600×550	24×22	1397	1397	1407	489	591	801	600	737	574	/	800	2608	1950
600	24	1397	1397	1407	591	/	837	636	759	612	/	800	2971	2155
650×600	26×24	1448	1448	1461	591	635	837	636	759	612	/	800	3175	2313
650	26	1448	1448	1461	635	/	872	673	793	649	/	800	3538	2540
700×650	28×26	1549	1549	1562	635	686	872	673	793	649	/	1000	3901	2767
700	28	1549	1549	1562	686	/	1041	784	836	686	/	1000	4309	3039
750×700	30×28	1651	1651	1664	686	736	907	708	836	686	/	1000	4581	3447
750	30	1651	1651	1664	736	/	1083	826	887	726	/	1000	5443	4137
800×750	32×30	1778	1778	1794	736	781	949	750	887	726	/	1000	5806	4241
800	32	1778	1778	1794	781	/	973	787	915	767	/	1000	6840	4559
850	34	1930	1930	1946	832	/	1151	894	951	804	/	1000	7269	5579
900×850	36×34	2083	2083	2098	736	876	1151	894	951	804	/	1000	7983	5897
900	36	2083	2083	2098	876	/	1192	935	987	838	/	1000	8664	7031
1000	40	2337	2337	2337	978	978	1357	1067	1212	936	/	1000	12143	10433
1050×900	42×36	2437	2437	2437	876	1022	1357	1067	1212	936	/	1000	10905	/
1050	42	2437	2437	2437	1022	1022	1449	1109	1354	977	/	1000	13835	11567
1200	48	2540	2540	2540	1168	1168	1681	1300	1555	1113	/	1000	19223	16072
1400	56	2710	2710	2710	1360	1362	1740	1504	1630	1254	/	1000	35150	31800

FULLY WELDED BALL VALVE

Main Dimensions

CLASS 900 mm

DN	NPS	A			B	B1	H	H1	H2	H3	Lo	W	Weight	
		RF	WE	RTJ									RF	WE
50	2	368	368	371	51	/	161	100	162	88	640	/	27	20
80×50	3×2	381	381	384	51	77	161	100	162	88	640	/	54	32
80	3	381	381	384	77	/	189	124	181	114	1050	/	64	54
100×80	4×3	457	457	460	77	102	189	124	181	114	1050	/	86	68
100	4	457	457	460	102	/	248	172	202	150	/	600	113	86
150×100	6×4	610	610	613	102	152	248	172	202	150	/	600	181	118
150	6	610	610	613	152	/	276	213	263	204	/	600	238	186
200×150	8×6	737	737	740	152	203	276	213	263	204	/	600	386	295
200	8	737	737	740	203	/	319	254	312	254	/	600	549	268
250×200	10×8	838	838	841	203	254	319	254	312	254	/	800	585	329
250	10	838	838	841	254	/	470	327	368	306	/	800	601	458
300×250	12×10	965	965	968	254	305	470	327	368	306	/	800	771	503
300	12	965	965	968	305	/	512	368	435	368	/	800	1021	612
350×300	14×12	1029	1029	1038	305	324	512	368	435	368	/	800	1247	762
350	14	1029	1029	1038	324	/	643	442	472	399	/	800	1474	978
400×350	16×14	1130	1130	1140	324	375	643	442	472	399	/	800	1656	1043
400	16	1130	1130	1140	375	/	684	483	547	411	/	1000	1814	1111
450	18	1219	1219	1232	425	/	724	524	571	450	/	1000	2404	1792
500	20	1321	1321	1334	473	/	895	615	608	488	/	1000	3221	2381
600	24	1549	1549	1568	571	/	970	713	749	613	/	1000	4762	2926
650	26	1625	1625	1647	619	/	1027	760	806	665	/	1000	6038	3708
700	28	1727	1727	1749	667	/	1069	810	890	720	/	800	6911	4350
750	30	1803	1803	1825	714	/	1083	826	1020	780	/	800	7938	5216
800	32	1905	1905	1927	762	/	1171	910	1040	820	/	800	9020	5916
850	34	2032	2032	2060	810	/	1207	960	1110	860	/	800	11046	7245
900	36	2182	2182	2213	857	/	1321	1020	1130	938	/	800	11612	7938
1000	40	2410	2410	2438	959	/	1390	1120	1160	1000	/	800	14822	10773
1050	42	2515	2515	2540	1003	/	1480	1200	1200	1080	/	800	17470	12702
1200	48	2620	2620	2850	1155	/	1570	1330	1330	1200	/	800	24282	17650

FULLY WELDED BALL VALVE

Main Dimensions CLASS1500 mm

DN	NPS	A			B	B1	H	H1	H2	H3	Lo	W	Weight	
		RF	WE	RTJ									RF	WE
50	2	368	368	371	51	/	161	100	165	95	800	/	45	20
80×50	3×2	470	470	473	51	77	161	100	165	95	800	/	68	32
80	3	470	470	473	77	/	189	124	182	127	/	600	82	54
100×80	4×3	546	546	549	77	102	189	124	182	127	/	600	109	68
100	4	546	546	549	102	/	248	172	209	158	/	600	136	86
150×100	6×4	705	705	711	102	146	248	172	209	158	/	600	249	118
150	6	705	705	711	146	/	276	213	287	222	/	800	324	186
200×150	8×6	832	832	841	146	194	276	213	287	222	/	800	465	295
200	8	832	832	841	194	/	429	278	332	247	/	800	703	488
250×200	10×8	991	991	1000	194	241	429	278	332	247	/	800	782	544
250	10	991	991	1000	241	/	507	385	426	313	/	1000	907	714
300×250	12×10	1130	1130	1146	241	289	507	385	426	313	/	1000	1275	748
300	12	1130	1130	1146	289	/	554	440	468	353	/	1000	1474	828
350×300	14×12	1257	1257	1276	317	317	554	440	468	353	/	1000	1701	953
350	14	1257	1257	1276	317	/	643	442	496	380	/	1000	1905	1157
400×350	16×14	1384	1384	1406	317	362	643	442	496	380	/	1000	2336	1236
400	16	1384	1384	1406	362	/	684	484	536	420	/	800	2449	1338
450	18	1537	1537	1559	407	/	856	576	688	560	/	800	2880	2325
500	20	1664	1664	1686	457	/	895	615	727	600	/	800	4200	2733
600	24	1943	1943	1972	534	/	970	713	803	675	/	800	7371	4264

CLASS 2500 mm

DN	NPS	A			B	B1	H	H1	H2	H3	Lo	W	Weight	
		RF	WE	RTJ									RF	WE
50	2	451	451	454	45	/	184	115	178	120	/	600	52	43
80×50	3×2	578	578	584	45	63	184	115	178	120	/	600	71	59
80	3	578	578	584	63	/	227	144	206	149	/	600	107	85
100×80	4×3	673	673	683	53	89	227	144	206	149	/	600	130	98
100	4	673	673	683	89	/	297	184	258	180	/	800	214	173
150×100	6×4	914	914	927	89	134	297	184	258	180	/	800	289	233
150	6	914	914	927	134	/	334	248	341	275	/	800	428	334
200×150	8×6	1022	1022	1038	134	181	334	248	341	275	/	800	588	461
200	8	1022	1022	1038	181	/	454	326	420	335	/	1000	950	760
250×200	10×8	1270	1270	1292	181	226	454	326	420	335	/	1000	1142	869
250	10	1270	1270	1292	226	/	508	338	540	432	/	1000	1325	983
300×250	12×10	1422	1422	1445	226	267	508	338	540	432	/	1000	1618	1205
300	12	1422	1422	1445	267	/	629	423	638	525	/	1000	2044	1478