

***KOFLW***

---

CHECK VALVE SERIES

**43-71P**

**FIGURE NUMBER SYSTEM**

**Check Valve Figure Number System**

1	Size	Xxin; xx, mm					
2	Operation type	Not suitable					
3	Valve Type	H-Check Valve					
4	Pressure	0-PN10	1-PN16 class150	2-PN25	3-class300	4-PN40 class400	6-PN64 class600
		9-class900	10-PN100	15-class1500	16-PN160	20-PN200	25-class2500
5	Connection Ends	RF-Raised Face	FF Flat Face	MFM Male and Female Face		TG Tongue and Groove face	
		RJ Ring Joint		BW Butt weld		WF-Wafer Type	
6	Structure Type	1-Lift Type		4-Single Disc Swing type		6-Double Disc Swing type	
7	Basic Material	C-WCB	C-C5	C6-WC6	C9-WC9	BL-LCB	CL-LCC
		8-CF8	8M-CF8M	3-CF3	3M-CF3M	ML-MONEL	
8	Material of Seat face or Liner	H-Cr13 S.S		E-18-8 S.S		R-Mo2Ti S.S	
		D- nitriding steel		M- Monel Alloy		Y-Stellited	

**Note:**

- 1、 Use "W" to express seat sealing surface material which is processed directly by valve body.
- 2、 When the materials of sealing surface are different, use low hardness material symbol to express
- 3、 Special Requirements not shown ,should be indicated in the purchase order
- 4、 The models listed in the sample book have no reference to pressure、 sizes and valve material symbols, they are to be decided by users.

**For example**

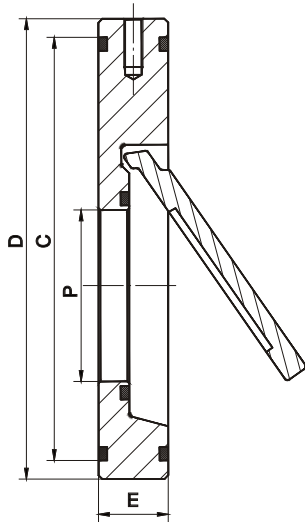
8 " -H1RF4CH

Check valve, 8 " ANSI CLASS150, Raised Face Ends, Single Disc Swing type, Body&Bonnet&Disc Cast Steel WCB, Seat sealing face material 13Cr

50-H2WF68W

Check valve, DN80 PN25, Wafer type, Double Disc Swing type, Body&Bonnet&Disc Stainless Steel CF8, Seat sealing face Body machined.

**SINGLE PLATE CHECK VALVE**



**Materials List**

Part	TypeA	TypeB
Body	*Steel	316SS
Disc	*Steel	316SS
Seat Ring	Nbr/Eodm	VITON
Flange sealing Ring	Nbr/Eodm	VITON

\*Steel and galvanized or chrome plated

**Technical Specification**

Norminal Pressure	PN16	CL150(PN20)	CL300(PN50)
Seal Test Pressure	1.76MPa	2.2MPa	5.5MPa
Strength Test Pressure	2.4MPa	3.0MPa	7.5MPa
Suitable Temperature	NBR:-10-+80°C		
	EPDM:-10-+120°C		
	VITON:-10-+150°C		

**Medium:**

Fresh water,Sea water,Waste water,food stuff,All kinds of oil,All kinds of acid and alkaline liquid etc

**Dimensions(mm)**

DN	D				P	E		
	PN16	TableD	ANSI 125/150	ANSI 300		PN16	ANSI 150	ANSI 300
40	92	85	85	95	22	14	19	19
50	109	98	105	111	32	14	19	19
65	129	111	124	130	40	14	19	19
80	144	130	136	149	54	14	19	19
100	164	162	175	181	70	18	19	19
125	194	194	197	216	92	18	19	19
150	220	219	222	251	114	20	19	22
200	275	276	279	308	154	22	28	28
250	330	337	340	362	200	26	28	38
300	380	387	410	422	235	28	38	51
350	440	448	451	485	280	38	44	51
400	491	499	515	540	316	44	51	51