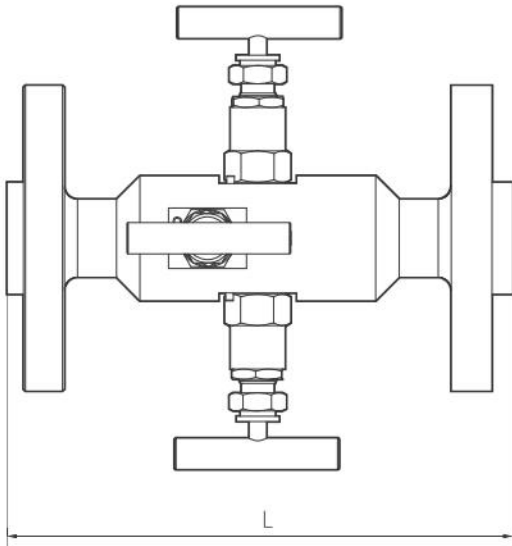


FLANGE TO FLANGE DOUBLE BLOCK AND BLEED VALVES - 3 NEEDLE PATTERN



◎ FEATURES & BENEFITS

- 1-piece construction
- 3 needle pattern
- ANSI B 16.5 flanged connections
- 1/2" NPT threaded bleed connection
- Pressure rating : class 150 to class 2500
 - Available to Fire safe to API 607
 - Available to NACE MR-01-75
- Flanged connections according to ASME B 16.5
RF and RTJ

◎ MATERIALS

316, 316L, 304, 304L, A105, LF2.
Titanium, monel, inconel625, C95800 and other special materials are available to customer spec.

◎ TYPICAL APPLICATIONS

- Double block and bleed applications
 - Primary isolation
 - Sampling
 - Venting

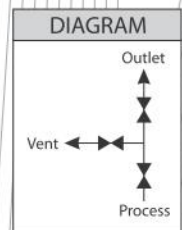
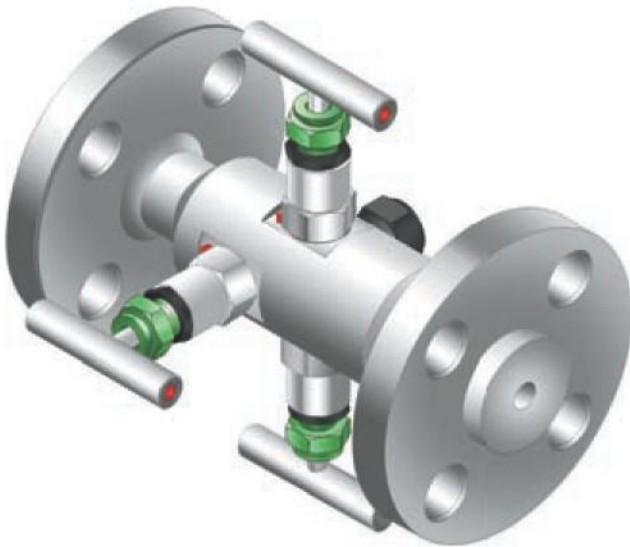


TABLE 4 - FLANGE TO FLANGE(3 NEEDLE PATTERN) DBB VALVE

Rating Flange size	150			300			600			900/1500			2500		
	L(RF)	L(RTJ)	Approx Weight(kg)	L(RF)	L(RTJ)	Approx Weight(kg)	L(RF)	L(RTJ)	Approx Weight(kg)	L(RF)	L(RTJ)	Approx Weight(kg)	L(RF)	L(RTJ)	Approx Weight(kg)
1/2"	168	-	3.5	173	173	3.8	173	173	4.5	203	203	5.5	210	210	7.1
3/4"	168	-	3.9	173	173	4.0	173	173	4.7	210	210	7.0	233	233	8.3
1"	175	185	4.5	180	180	5.3	180	180	5.8	261	261	15.3	272	272	18.0
1-1/4"	185	195	6.4	205	205	7.0	205	205	6.6	275	275	18.0	308	308	35.3
1-1/2"	225	165	7.5	252	252	8.9	252	252	12.5	293	293	22.3	330	330	44.2
2"	233	168	11.3	260	260	13.3	260	260	18.3	305	305	33.5	350	350	56.5

INSTRUMENT DOUBLE BLOCK AND BLEED VALVES - 3 BALL PATTERN

◎ FEATURES & BENEFITS

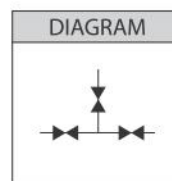
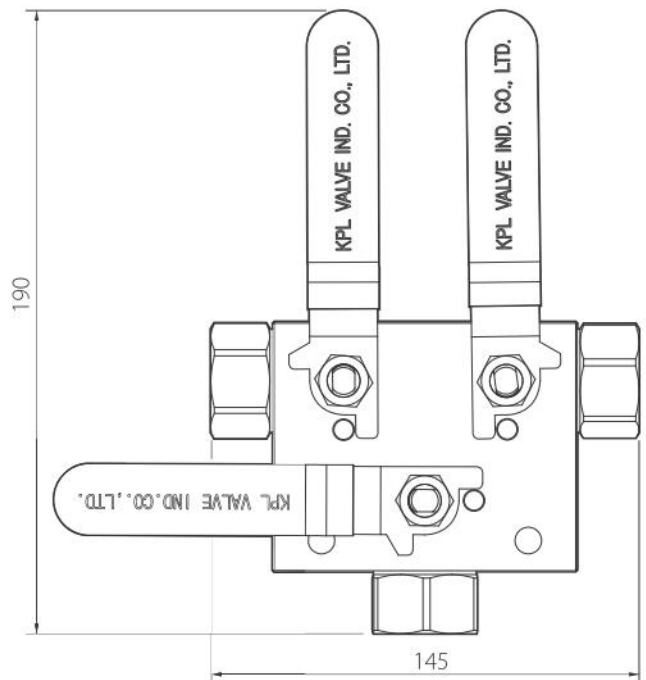
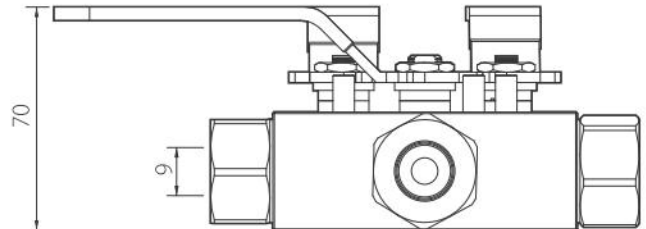
- 3 ball pattern
- FNPT threaded connections
- 1/2" NPT threaded bleed connection
- Floating ball design
- 10mm ball valve bore
- Pressure ratings : 6000 psi
- Available to Fire safe to API 607
- Available to NACE MR-01-75

◎ MATERIALS

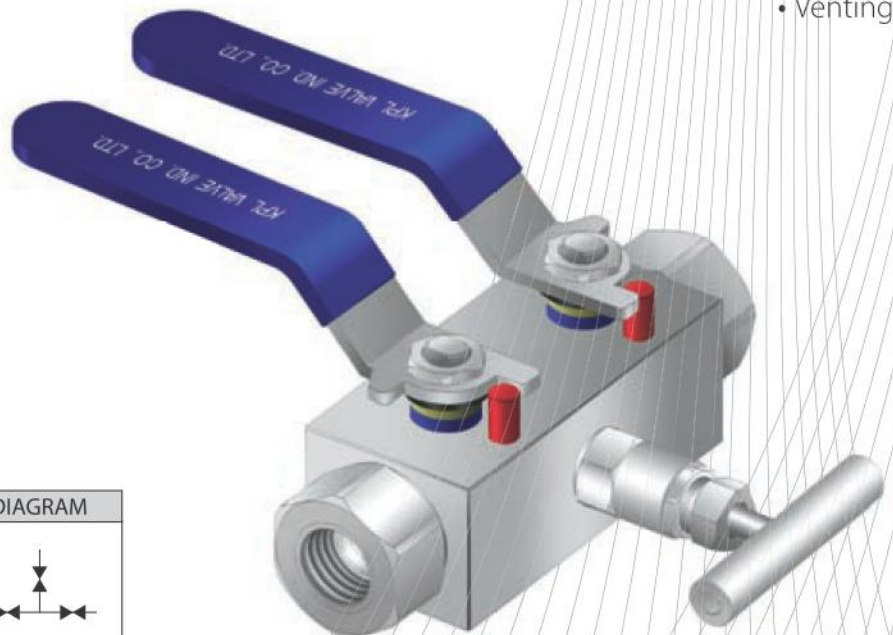
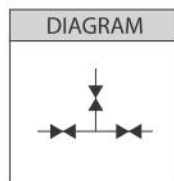
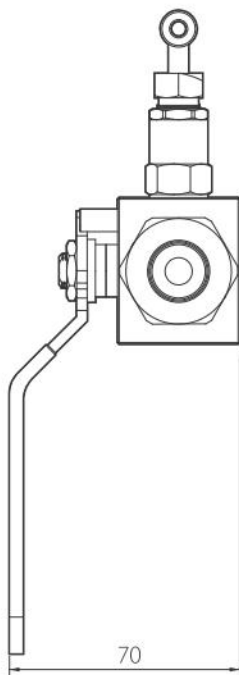
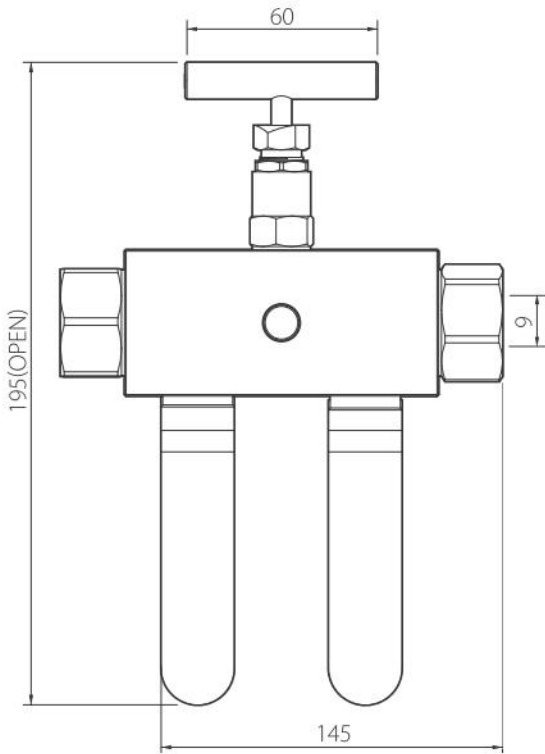
316, 316L, 304, 304L, A105, LF2.
Titanium, monel, inconel625, C95800
and other special materials are
available to customer spec.

◎ TYPICAL APPLICATIONS

- Double block and bleed applications
- Primary isolation
- Sampling
- Venting



INSTRUMENT DOUBLE BLOCK AND BLEED VALVES - 2 BALL 1 NEEDLE PATTERN



◎ FEATURES & BENEFITS

- 2 ball 1 needle pattern
- FNPT threaded connections
- 1/4" NPT threaded bleed connection
 - Floating ball design
 - 10mm ball valve bore
- Pressure ratings : 6000 psi
- Available to Fire safe to API 607
- Available to NACE MR-01-75

◎ MATERIALS

316, 316L, 304, 304L, A105, LF2.
Titanium, monel, inconel625,
C95800 and other special
materials are available to customer spec.

◎ TYPICAL APPLICATIONS

- Double block and bleed applications
 - Primary isolation
 - Sampling
 - Venting

INSTRUMENT DOUBLE BLOCK AND BLEED VALVES - 3 NEEDLE PATTERN

◎ FEATURES & BENEFITS

- 3 needle pattern
- FNPT threaded connections
- 1/4" NPT threaded bleed connection
- Pressure ratings : 6000 psi
- Available to Fire safe to API 607
- Available to NACE MR-01-75

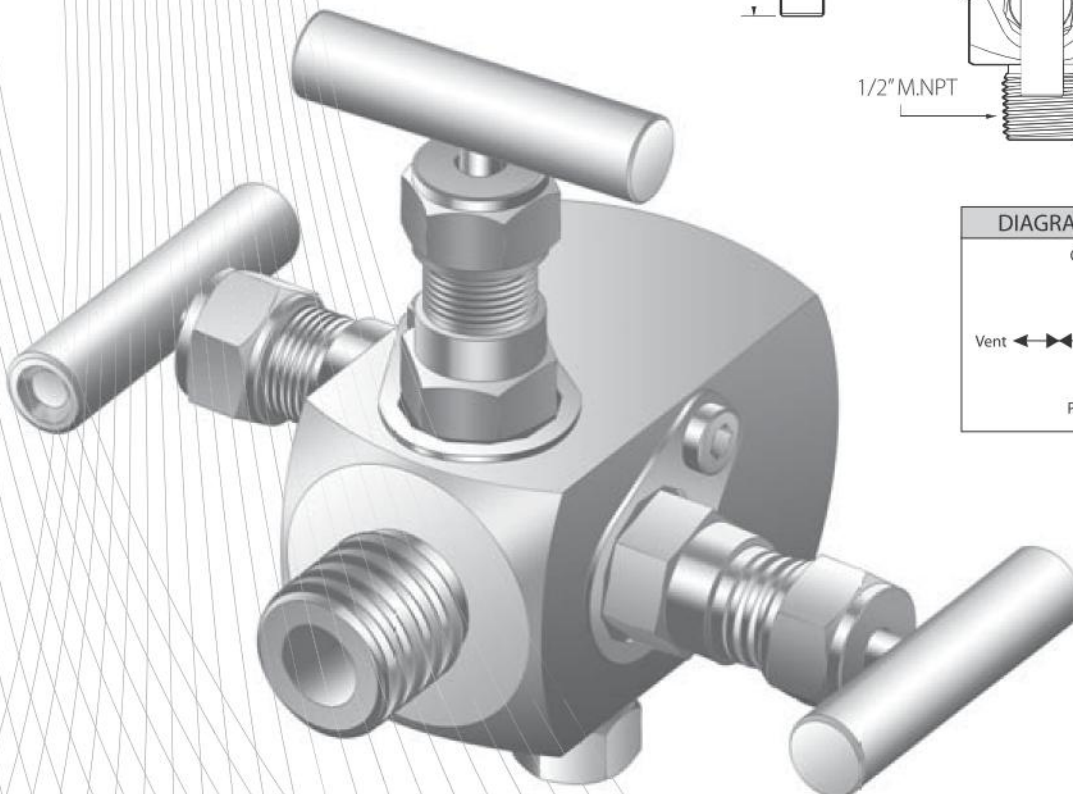
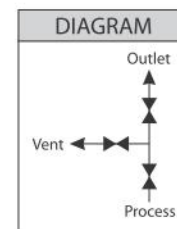
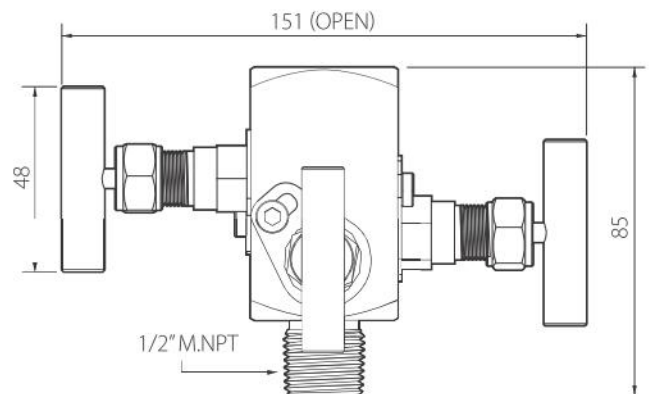
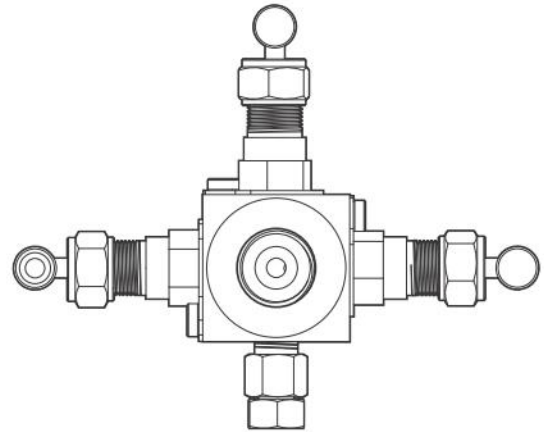
◎ MATERIALS

316, 316L, 304, 304L, A105, LF2.

Titanium, monel, iniconel625, C95800 and other special materials are available to customer spec.

◎ TYPICAL APPLICATIONS

- Double block and bleed applications
- Primary isolation
- Sampling
- Venting



© HOW TO SPECIFY KPL DOUBLE BLOCK AND BLEED VALVES

DB	A	1	50R	15N	15	16	P	F
Model			Inlet		Vent			Option
Double block and bleed			1/2" 15		1/4" NPT 08			Fire safe F
			3/4" 20		3/8" NPT 10			Anti static device A
			1" 25		1/2" NPT 15			locking device LO
			1-1/4" 25		3/4" NPT 20			Injection quill Q
			1-1/2" 32		1" NPT 25			Graphite seals GP
			2" 50					NACE MR-01-75 N
Type			Female NPT N		Material			Ball valve Seat material
A - DBB Valve integral flange 2 ball 1 needle pattern			RF Flange R		316 16			PTFE P
S - DBB Valve 3-piece type 2 ball 1 needle pattern			RTJ RJ		316L 16L			RTEE R
I - DBB Valve instrument 3 ball pattern			Stub ST		304 04			PEEK K
N - DBB Valve instrument 3 needle pattern			Socket weld S		304L 04L			DEVLON N
H - DBB Valve instrument 2 ball 1 needle pattern			Butt weld B		A105 05			NYLON D
					LF2 F2			METAL TO METAL MS
			Outlet		Monel MO			
			1/2" 15		Titanium TI			
			3/4" 20		Hastelloy C276 HC			
			1" 25		Alloy 20 A20			
			1-1/4" 32		Inconel 625 IN			
			1-1/2" 40		F51(Duolex) F5			
			2" 50					
Ratings			Female NPT N					
150# 1			RF Flange F					
300# 3			RTJ R					
600# 6			Stub ST					
900# 9			Socket weld S					
1500# 15			Butt weld B					
2500# 25								
3000 PSI 3P								
6000 PSI 6P								

WARNING!! - FOR YOUR SAFETY

Select the right component for safety's sake. The total design of the system must be taken into consideration when selecting components in order to ensure that your KPL Valve products provide safe, trouble free operation. It is the responsibility of the system designer and the user to consider the compatibility of the materials, of the components and system, the function of the component, appropriate ratings and to ensure proper installation, operation and maintenance. Improper selection or use of products can cause property damage or personal injury, in respect of which the system designer and/or the user shall be solely liable and responsible.

LARGE BORE DOUBLE BLOCK AND BLEED VALVES

◎ FEATURES & BENEFITS

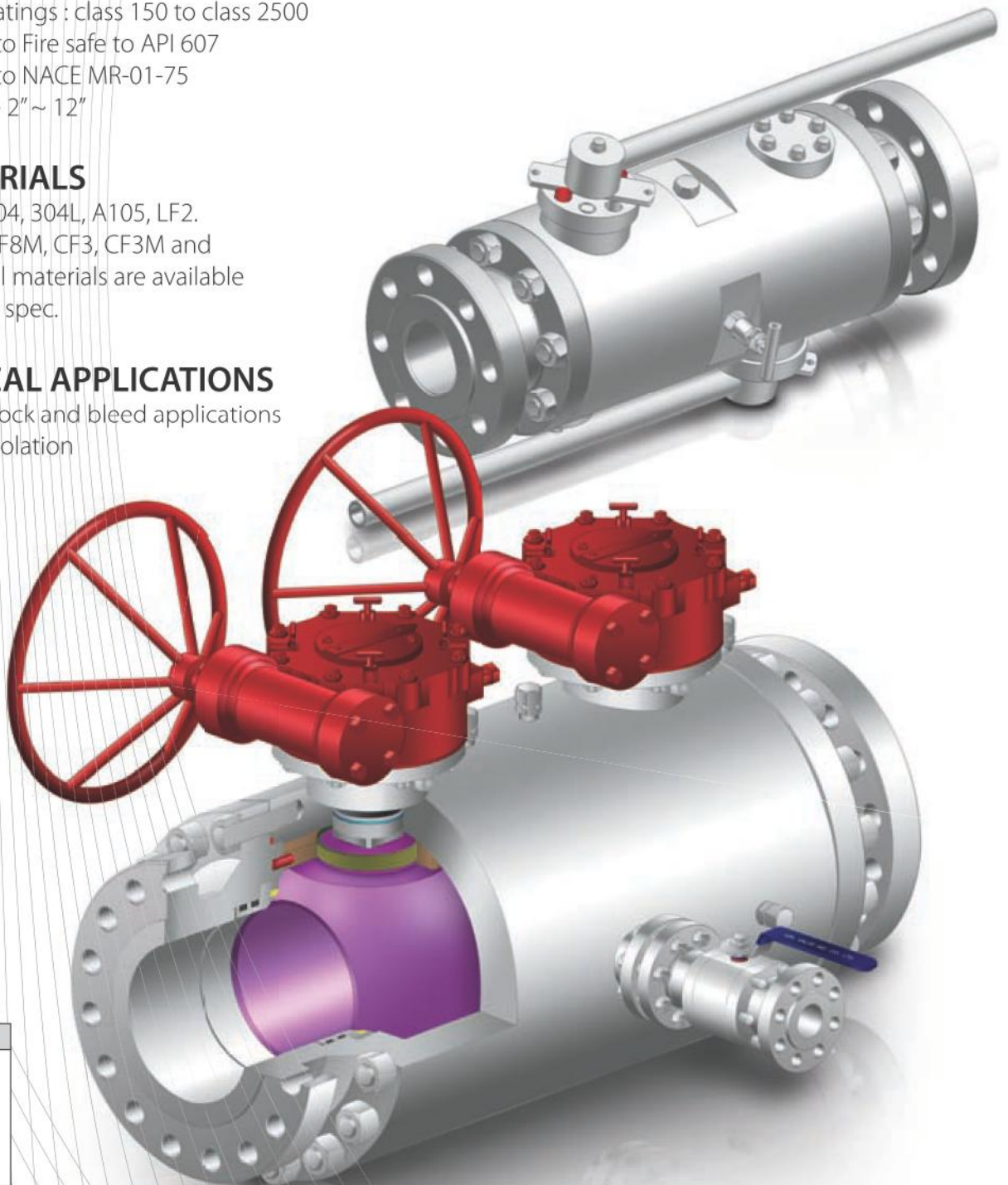
- 2 isolate ball valve pattern
- ANSI B 16.5 flanged connections
- Floating or trunnion ball design
- Pressure ratings : class 150 to class 2500
- Available to Fire safe to API 607
- Available to NACE MR-01-75
- Size range 2" ~ 12"

◎ MATERIALS

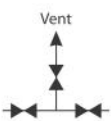
316, 316L, 304, 304L, A105, LF2.
WCB, CF8, CF8M, CF3, CF3M and
other special materials are available
to customer spec.

◎ TYPICAL APPLICATIONS

- Double block and bleed applications
- Primary isolation
- Sampling
- Venting



DIAGRAM



FLANGE TO SCREW SINGLE BLOCK AND BLEED VALVES

◎ FEATURES & BENEFITS

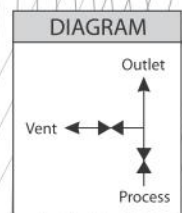
- Integral flange
- 1 ball 1 needle pattern
- 1/2" PT or NPT threaded female outlet
- ANSI B 16.5 flanged inlet connections
- 1/2" NPT threaded bleed connection
 - Size Range : 1/2" ~ 4"
- Pressure ratings : class 150 to class 1500
 - Available to Fire safe to API 607
 - Available to NACE MR-01-75
- Flanged connections according to ASME B 16.5
RF and RTJ

◎ MATERIALS

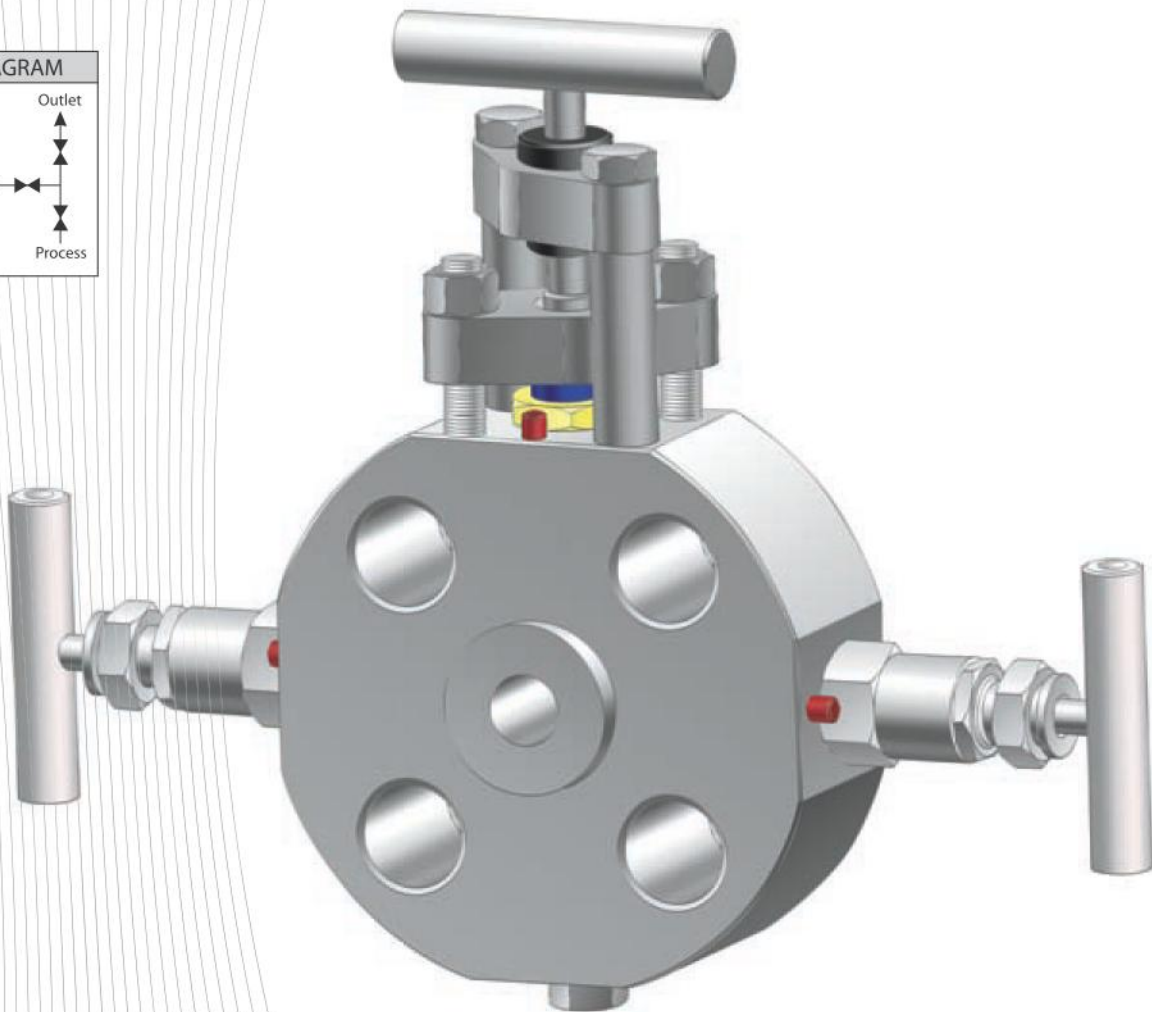
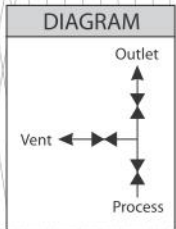
316, 316L, 304, 304L, A105, LF2.
Titanium, monel, inconel625, C95800 and other special materials are available to customer spec.

◎ TYPICAL APPLICATIONS

- Double block and bleed applications
 - Primary isolation
 - Chemical injection
 - Sampling
- Flow measurement



MONOFLANGE VALVES



◀ OS&Y Type Double Block & Bleed

◎ FEATURES & BENEFITS

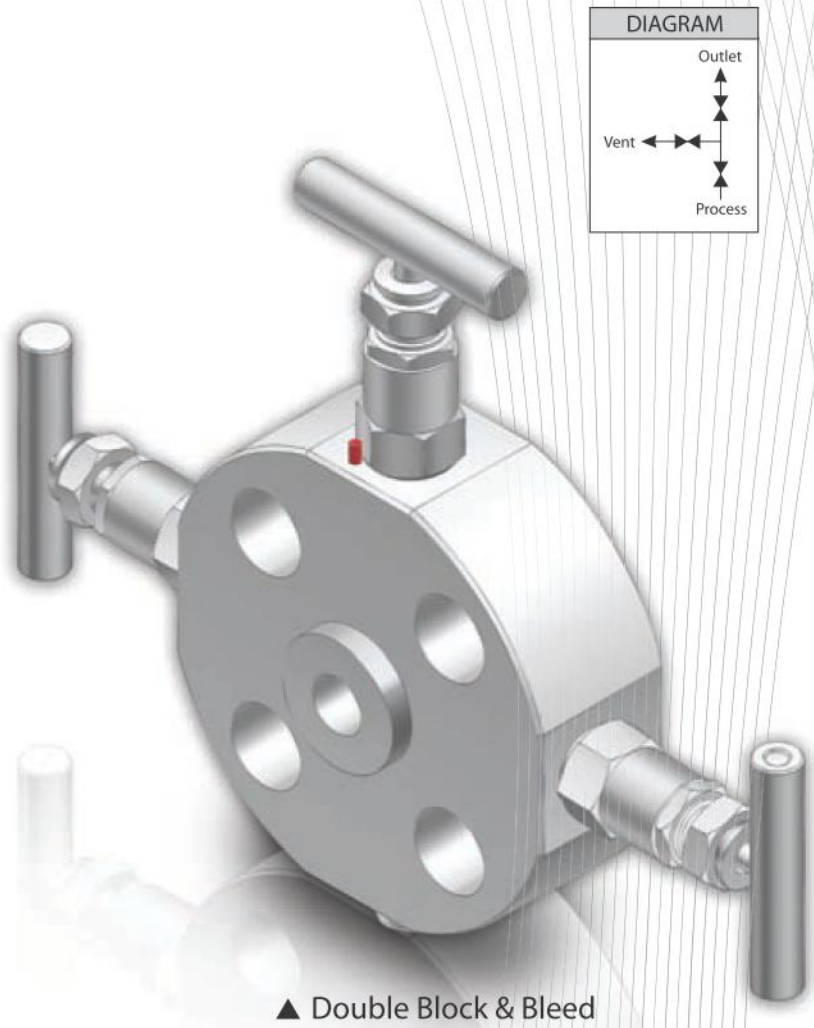
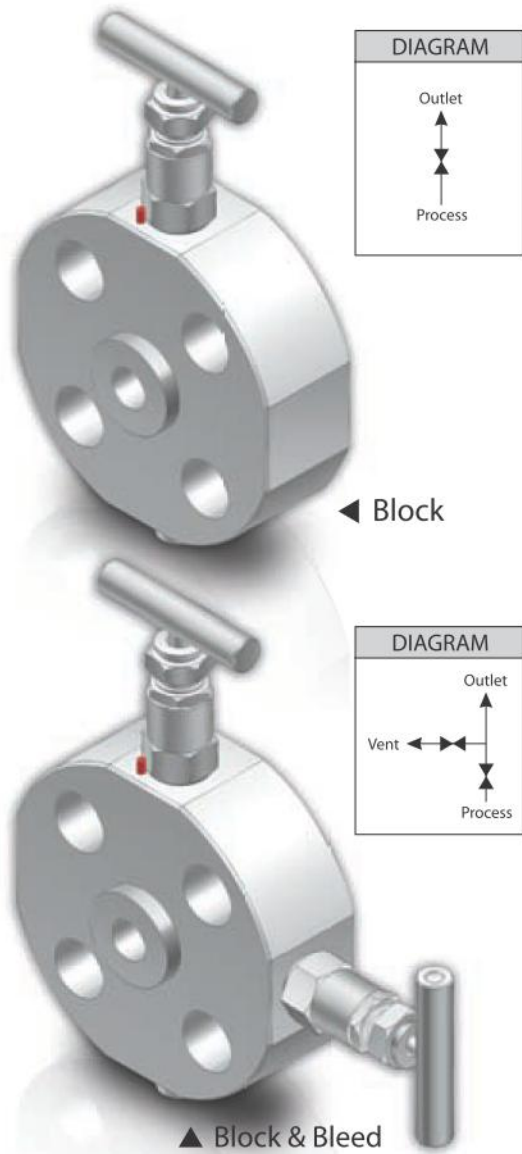
- 3 Needle pattern
- 1/2"PT or NPT threaded female outlet
- ANSI B 16.5 flanged inlet connections
- 1/2" NPT threaded bleed connection
- Pressure ratings : class 150 to class 2500
- Available to Fire safe to API 607
- Available to NACE MR-01-75
- Single block and bleed type is available
- Flanged connections according to ASME B 16.5 RF and RTJ

◎ MATERIALS

316, 316L, 304, 304L, A105, LF2 C95800. Titanium, monel, inconel625, and other special materials are available to customer spec.

◎ TYPICAL APPLICATIONS

- Double block and bleed applications
- Primary isolation
- Sampling
- Venting



© HOW TO SPECIFY KPL MONOFLANGE VALVES

M	D	F 50A	15N	15	16	F
Model		Flange Detail		Vent		Option
Monoflange		RF F		1/4" NPT 08		Fire safe F
		RTJ R		3/8" NPT 10		locking device LO
				1/2" NPT 15		Graphite seals GP
		1/2" 15				NACE MR-01-75 N
		3/4" 20		Outlet		
		1" 25		1/4" NPT 8N		
		1-1/4" 32		3/8" NPT 10N		
		1-1/2" 40		1/2" NPT 15N		
Type		2" 50		※ Other thread connections are available		Material
D- Double block & Bleed		150# A				316 16
B- Block		300# B				316L 16L
E- Block & Bleed		600# C				304 04
		900# D				304L 04L
		1500# F				A105 05
		2500# G				LF2 F2
						Monel MO
						Titanium TI
						Hastelloy C276 HC
						Alloy 20 A20
						Inconel 625 IN
						F51(Duolex) F5



KPL VALVE IND. CO., LTD.
www.kplvalve.com

Factory & Head office 739-4, Ojung-dong, Ojung-gu, Bucheon-city, Kyunggi-do, Korea
TEL 82-32-673-4413~5
FAX 82-32-673-4416
Webpage <http://www.kplvalve.com>

Seoul office Ra 1108, Jungang U-tong danji 1258, Kurobon-dong, Kuro-gu, Seoul, Korea
TEL 82-2-2619-8813
FAX 82-2-2625-2560
E-mail sales@kplvalve.com



API Q1, 6D
License # 6D-0694



Quality
ISO 9001
SAI GLOBAL