

# Ammonia service pressure gauge

## Model : P111 series

Spec. sheet no. PD0-02

### Service intended

P111 series are designed to withstand the shock, the vibration, and the pulsation which could be generated from the agricultural ammonia equipment.



### Nominal diameter

60, 75 and 100 mm

### Accuracy

±1.5% of full scale

### Scale range (MPa, kPa, bar)

-0.1 ~ 1, 1.5, 2 MPa

### Working pressure

Steady : 75% of full scale

Over range protection : 130% of full scale

### Working temperature

Ambient : -40 ~ 65°C

Fluid : Max. 200°C

### Temperature effect

Accuracy at temperature above and below the reference temperature (20°C) will be effected by approximately ±0.4% per 10°C of full scale



## Standard features

### Pressure connection

316SS

### Element

316SS

C type bourdon tube

### Case

Black finished steel

### Cover

Black finished steel

### Window

Glass

### Movement

Brass

### Dial

White aluminium with black graduations

### Pointer

Black painted aluminium alloy

### Process connection

¼" PT, ⅜" PT and PF

**1. Base model**

**P111** Ammonia service pressure gauge

**2. Nominal diameter (mm)**

- 2** 60
- 3** 75
- 4** 100

**3. Type of mounting**

- A** Bottom connection, direct
- B** Bottom connection, surface, case mounting plate
- M** Lower back connection, flush, case center mounting bracket, only available with diameter 100 mm

**4. Accuracy**

- 4** ±1.5% of full scale

**5. Process connection**

- C** 1/4" (Only 60 mm)
- D** 3/8"

**6. Connection type**

- B** PF
- C** PT

**7. Unit**

- H** bar
- I** MPa
- J** kPa

**8. Range**

- 032** -0.1 ~ 1 MPa (-1 ~ 10 bar)
- 033** -0.1 ~ 1.5 MPa (-1 ~ 15 bar)
- 034** -0.1 ~ 2.0 MPa (-1 ~ 20 bar)

**9. Dial color**

- 6** 3 colors

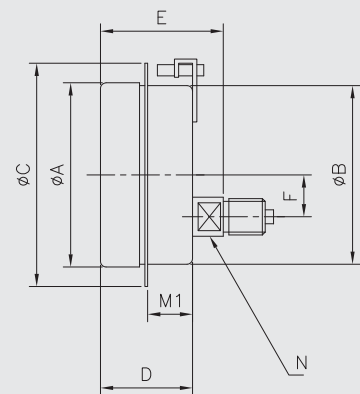
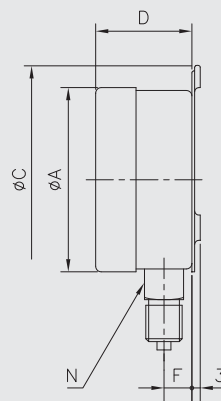
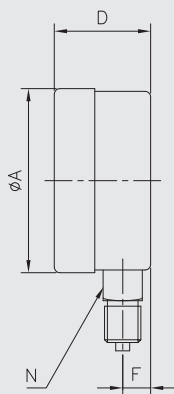
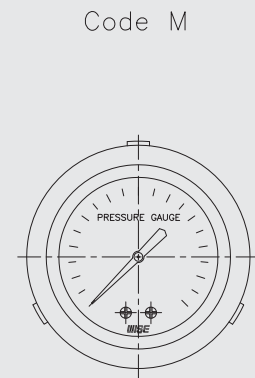
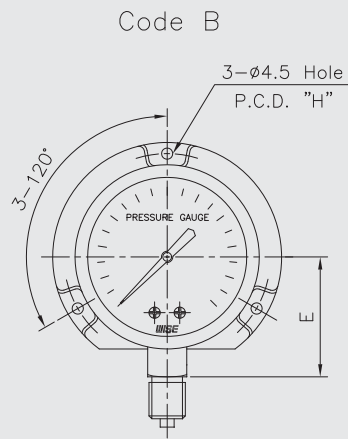
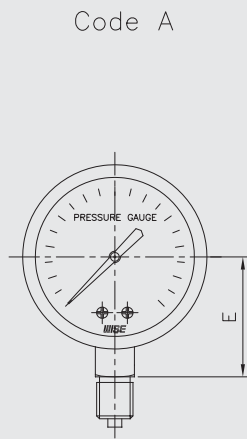
**10. Option**

- 0** None
- 1** Accessories

1	2	3	4	5	6	7	8	9	10
P111	2	A	4	C	C	H	033	6	0

Sample  
ordering code

## P111 : Type of mounting



Dimensions (mm)

Dial size	Available code	A	B	C	D±2	E±2	F±1	H	M1	N
60	A,B	66		82	31.5	42	11	74		14
75	A,B	78		100	34.7	52	12.7	90		17
100	A,B	106		128	35	64.5	12.7	115		17
	M	103.5	102	128	40.5	61.5	36		14	17