

Bourdon tube pressure gauge

Model : P112 series

Spec. sheet no. PD0-03

Service intended

P112 series are designed to withstand the shock, the vibration and the pulsation which could be generated from freon gas service.



Nominal diameter

60 and 75 mm

Accuracy

±1.5% of full scale

Scale range (MPa, kPa, bar)

60mm : -0.1 ~ 0.2, 0.4, 1.0, 1.5, 2.0 MPa

0 ~ 2.5, 0 ~ 3.5 MPa

75mm : -0.1 ~ 0.2, 0.4, 1.5 MPa

0 ~ 3.5 MPa

Working pressure

Steady : 75% of full scale

Over range protection : 130% of full scale

Working temperature

Ambient : -20 ~ 60°C

Fluid : Max. 60°C

Temperature effect

Accuracy at temperature above and below the reference temperature (20°C) will be effected by approximately ±0.4% per 10°C of full scale



Standard features

Pressure connection

Brass

Movement

Brass

Element

Brass

C type bourdon tube

Dial

White aluminium with black graduations

Case

Black finished steel

Pointer

Black painted aluminium alloy

Window

Polycarbonate (60 mm)

Glass (Only 75 mm)

Process connection

7/16" UNF

1/4" PT, NPT and PF

3/8" PT, NPT and PF (Only 75 mm)

WISE[®]

1. Base model

P112 Bourdon tube pressure gauge

2. Nominal diameter (mm)

- 2 60
- 3 75

3. Type of mounting

- B** Bottom connection, surface, case mounting plate
- H** Center back connection, flush, case center mounting plate

4. Accuracy

- 4** ±1.5% of full scale

5. Process connection

- C** ¼"
- D** ⅜" (Only 75 mm)
- P** ⅞" UNF

6. Connection type

- B** PF
- C** PT
- D** NPT

7. Unit

- H** bar
- I** MPa
- J** kPa

8. Range

- 028** -0.1 ~ 0.2 MPa
- 030** -0.1 ~ 0.4 MPa
- 032** -0.1 ~ 1 MPa
- 033** -0.1 ~ 1.2 MPa
- 034** -0.1 ~ 2 MPa
- 052** 0 ~ 2.5 MPa
- 054** 0 ~ 3.5 MPa

9. Dial color

- 1** 2 colors
- 5** 3 colors

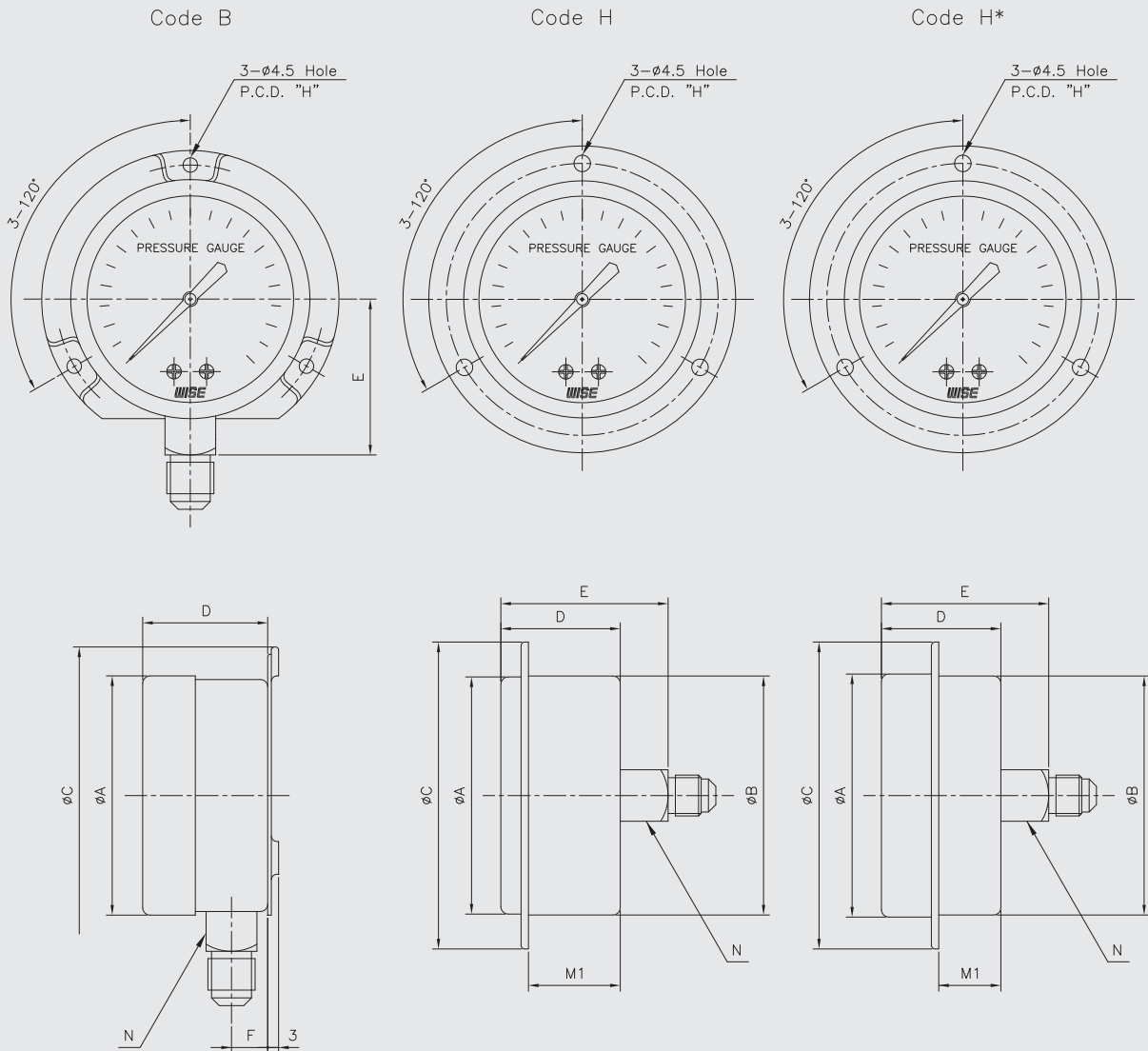
10. Option

- 0** None
- 1** Accessories

| | | | | | | | | | |
|-------------|----------|----------|----------|----------|----------|----------|------------|----------|----------|
| 1 | 2 | 3 | 4 | 5 | 6 | 7 | 8 | 9 | 10 |
| P112 | 2 | H | 4 | P | E | I | 033 | 5 | 0 |

Sample
ordering code

P112 : Type of mounting



Dimensions (mm)

| Dial size | Available code | A | B | C | D \pm 2 | E \pm 2 | F \pm 1 | H | M1 | N |
|-----------|----------------|----|----|------|-----------|-----------|-----------|----|----|----|
| 60 | B | 66 | | 82 | 35.5 | 42 | 11 | 74 | | 14 |
| | H | 66 | 65 | 83.5 | 34.5 | 44.5 | | 74 | 27 | 14 |
| 75 | B | 78 | | 100 | 34.7 | 52 | 12.7 | 90 | | 17 |
| | H* | 78 | 77 | 100 | 34.7 | 46.7 | | 90 | 19 | 17 |