

# Miniature pressure gauge

## Model: P235S - 316SS Internal P235B - Brass Internal

Spec. sheet no. PD02-05

### Service intended

P235S and P235B series are miniature gauges. These gauges are designed to be installed in the narrow and the tight places where regular pressure gauges cannot be installed. Therefore, these gauges are useful for installation on small machines such as positioners. It shows the excellent performance where severe vibration is present.



### Nominal diameter

35 mm

### Accuracy

±3.0% of full scale

### Scale range (MPa, kPa, bar)

0 ~ 0.2 MPa to 0 ~ 3.5 MPa

### Working pressure

Steady : 75% of full scale

Over range protection : 130% of full scale

### Working temperature

Ambient : Model P235S : -40 ~ 65°C

Model P235B : -20 ~ 60°C

Fluid : Model P235S series : Max. 200°C

Model P235B series : Max. 60°C

### Temperature effect

Accuracy at temperature above and below the reference temperature (20°C) will be effected by approximately ±0.4% per 10°C of full scale



## Standard features

### Pressure connection

P235S series - Stainless steel (316SS)

P235B series - Brass

### Movement

Stainless steel (304SS)

### Element

"C" type bourdon tube

P235S series - Stainless steel (316SS)

P235B series - Brass

### Dial

White aluminium with black graduations

### Case

Stainless steel (304SS)

### Pointer

Black painted aluminium alloy

### Ring and window

Twist-lock polycarbonate

### Process connection

1/8", 1/4" PT, NPT and PF

**WISE**<sup>®</sup>

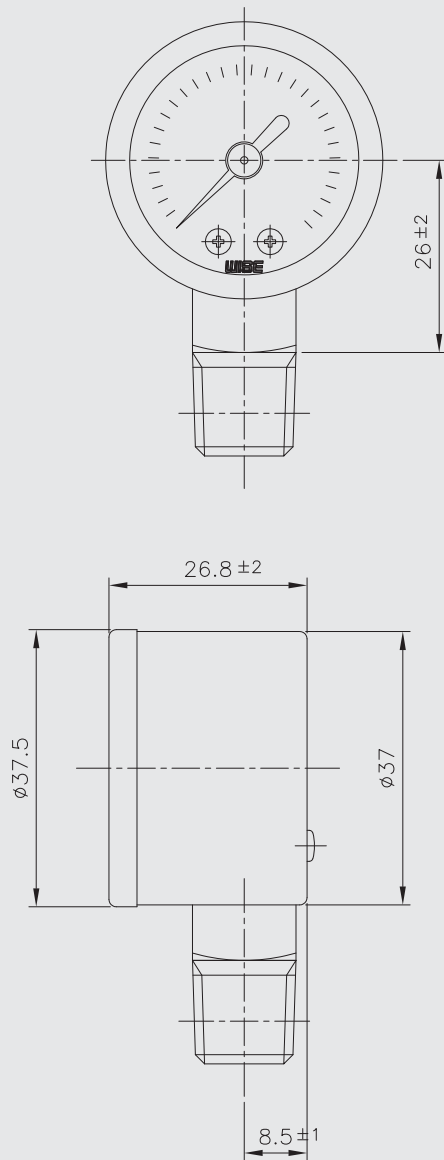
**1. Base model****P235S** Miniature pressure gauge (316SS internal)**P235B** Miniature pressure gauge (Brass internal)**2. Nominal diameter (mm)****M** 35**3. Type of mounting****A** Bottom connection, direct**F** Center back connection, direct**4. Process connection****B** 1/8"**C** 1/4"**5. Connection type****B** PF**C** PT**D** NPT**Z** Other**6. Unit****H** bar**I** MPa**J** kPa**7. Range****XXX** Refer to pressure unit and range table**8. Dial color****3** 2 colors**7** 3 colors**9. Option****0** None**1** Accessories

|       |   |   |   |   |   |     |   |   |
|-------|---|---|---|---|---|-----|---|---|
| 1     | 2 | 3 | 4 | 5 | 6 | 7   | 8 | 9 |
| P235S | M | A | B | B | H | XXX | 3 | 0 |

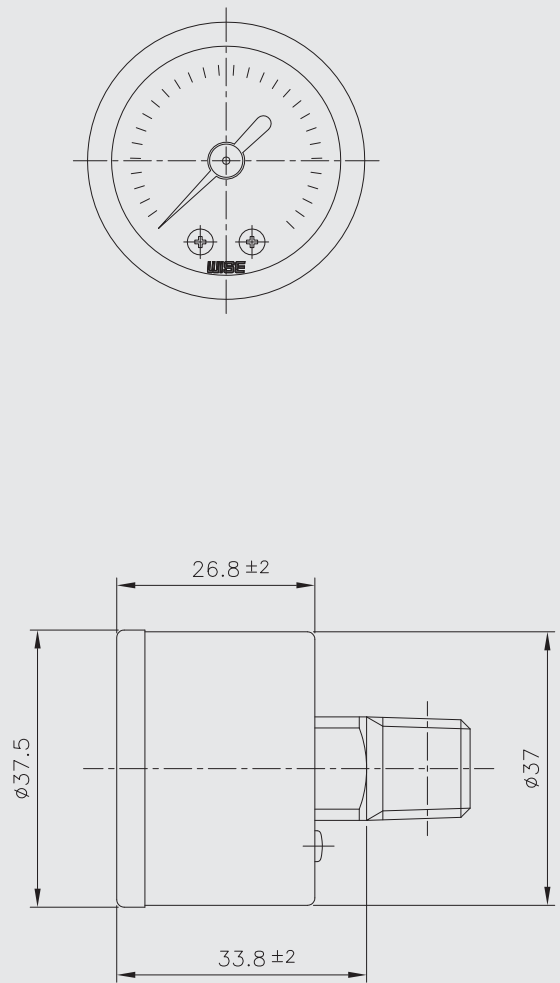
Sample  
ordering code

P235 : Type of mounting

Code A



Code F



## Pressure unit and range table

| Range and code | Unit and code |         |           | Nominal diameter |
|----------------|---------------|---------|-----------|------------------|
|                | H : bar       | I : MPa | J : kPa   | 35 mm            |
| 042            | 0 ~ 2         | 0 ~ 0.2 | 0 ~ 200   | O                |
| 043            | 0 ~ 3         | 0 ~ 0.3 | 0 ~ 300   | O                |
| 044            | 0 ~ 4         | 0 ~ 0.4 | 0 ~ 400   | O                |
| 045            | 0 ~ 6         | 0 ~ 0.6 | 0 ~ 600   | O                |
| 047            | 0 ~ 10        | 0 ~ 1   | 0 ~ 1,000 | O                |
| 050            | 0 ~ 15        | 0 ~ 1.5 | X         | O                |
| 051            | 0 ~ 20        | 0 ~ 2   | X         | O                |
| 052            | 0 ~ 25        | 0 ~ 2.5 | X         | O                |
| 054            | 0 ~ 35        | 0 ~ 3.5 | X         | O                |

O : Available X : Not available