

Euro gauge

Industrial service pressure gauge

Model : P253 series

Spec. sheet no. PD02-08

Service intended

P253 series are suitable for a corrosive environment. Typical application includes: Chemical, petro-chemical, refining process, power generation, marine and food industry. Its stainless steel case and cover have a good appearance and the excellent proof against corrosive and chemical attack.



Nominal diameter

63, 100 and 160 mm

Accuracy

P2532 (63 mm) : $\pm 1.6\%$ of full scale

P2534 (100 mm) and P2536 (160 mm) : $\pm 1.0\%$ of full scale

Scale range (MPa, kPa, bar)

63 mm : -0.1 ~ 0 to 0 ~ 35 MPa

100 and 160 mm : -0.1 ~ 0 to 0 ~ 100 MPa

Working pressure

Steady : 75% of full scale (63 and 80 mm)

100% of full scale (100 and 160 mm)

Over range protection : 130% of full scale

Working temperature

Ambient : -20 ~ 60°C

Fluid : Max. 60°C

Degree of protection

EN60529/IEC529/IP65

Temperature effect

Accuracy at temperature above and below the reference temperature (20°C) will be effected by approximately $\pm 0.4\%$ per 10°C of full scale



Standard features

Pressure connection

Brass

Element

Brass

Model : P2534 (100 mm) and P2536 (160 mm)

<10 MPa : C type bourdon tube

≥ 10 MPa : Helical type bourdon tube with 316SS

Model : P2532 (63 mm)

<6 MPa : C type bourdon tube

≥ 6 MPa : Helical type bourdon tube

Blowout protection

Back, Rubber disc for 100 and 160 mm

Top, Rubber disc for 63 mm

Case

Stainless steel (304SS)

Cover

Stainless steel (304SS)

Bayonet type

Window

Laminated safety glass

Movement

63 mm : Brass

100 and 160 mm : Stainless steel

Dial

White aluminium with black graduations

Pointer

Black painted aluminium alloy

Process connection

63 mm : $\frac{1}{4}$ " PT, NPT and PF

100 and 160 mm : $\frac{1}{4}$ ", $\frac{3}{8}$ ", $\frac{1}{2}$ " PT, NPT and PF

Optional

Zero adjustable pointer

(Only available with diameter 100 and 160 mm)

WISE[®]

1. Base model

P253 Industrial service pressure gauge

2. Nominal diameter (mm)

2	63
4	100
6	160

3. Type of mounting

- A** Bottom connection, direct
- B** Bottom connection, surface, case mounting plate
- F** Center back connection, direct, only available with diameter 63 mm
- G** Lower back connection, direct, only available with diameter 100 mm
- H** Center back connection, flush, case center mounting plate, only available with diameter 63 mm
- I** Center back connection, flush, case center mounting plate with bracket, only available with diameter 63 mm
- J** Center back connection, flush, cover mounting plate, only available with diameter 63 mm
- L** Lower back connection, flush, case center mounting plate, only available with diameter 100 mm
- M** Lower back connection, flush, case center mounting bracket, only available with diameter 100 mm
- N** Lower back connection, flush, cover mounting plate, only available with diameter 100 mm
- V** Center back connection, flush, cover mounting bracket, only available with diameter 63 mm
- W** Lower back connection, flush, cover mounting bracket, only available with diameter 100 mm

4. Accuracy

- 3** ±1.0% of full scale, not available with diameter 63 mm
- 4** ±1.6% of full scale, only available with diameter 63 mm

5. Process connection

- C** ¼"
- D** ⅜", Not available with diameter 63 mm
- E** ½", Not available with diameter 63 mm

6. Connection type

- B** PF
- C** PT
- D** NPT
- F** BSPT
- G** BSP (G)
- Z** Other

7. Unit

- X** Refer to pressure unit and range table

8. Range

- XXX** Refer to pressure unit and range table

9. Dial color

- 1** 2 colors
- 5** 3 colors

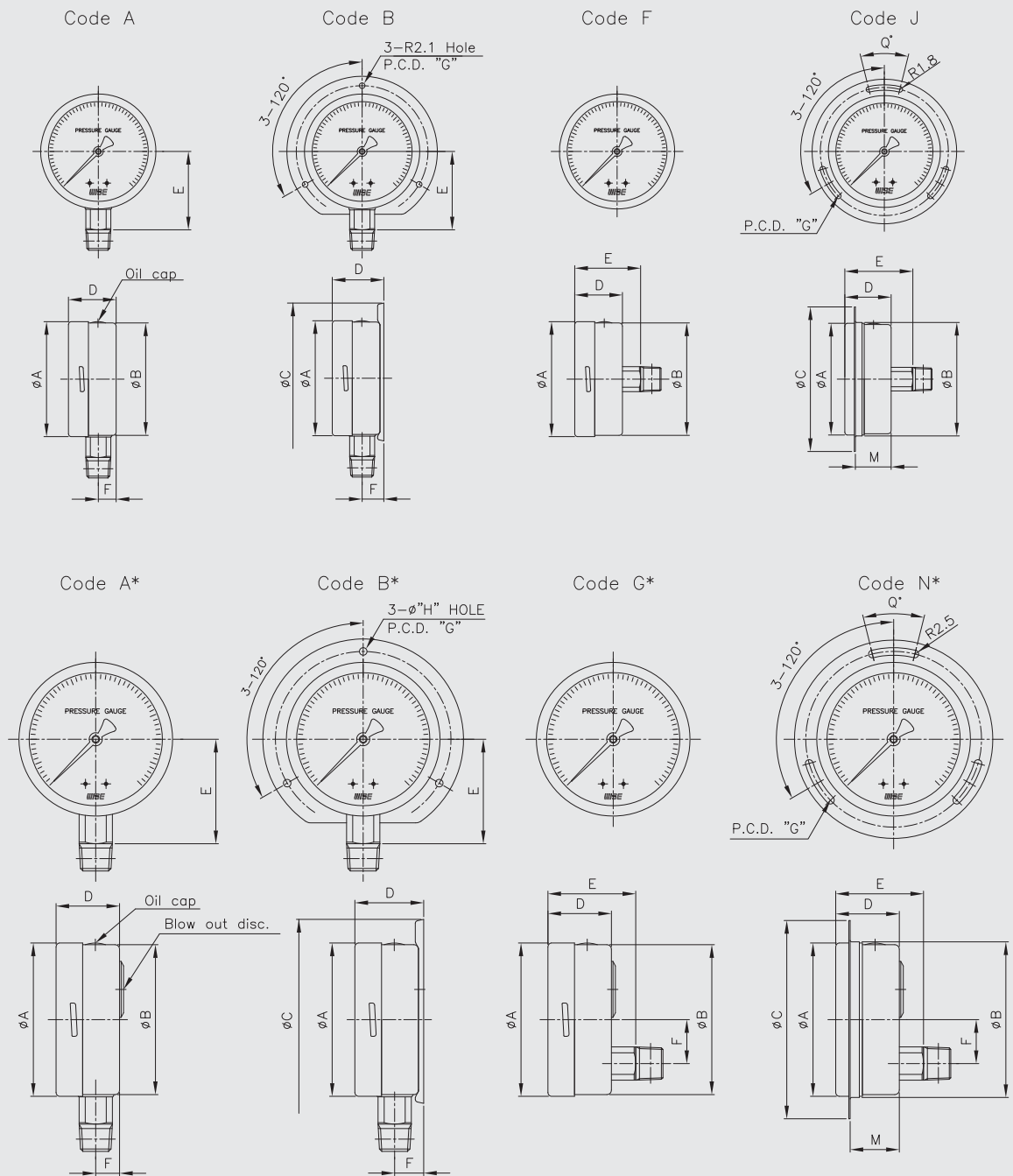
10. Option

- 0** None
- 1** Accessories

1	2	3	4	5	6	7	8	9	10
P253	4	A	3	E	D	H	XXX	1	0

Sample
ordering code

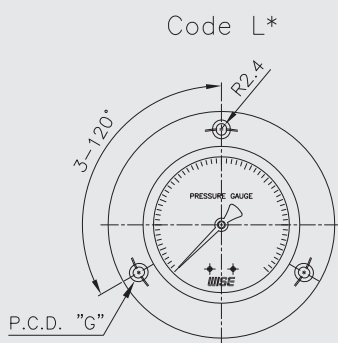
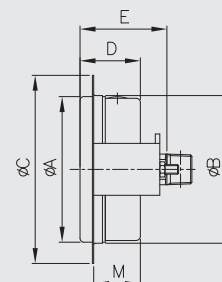
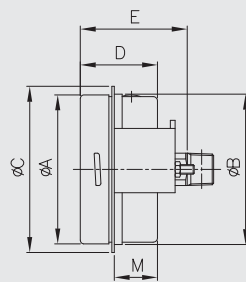
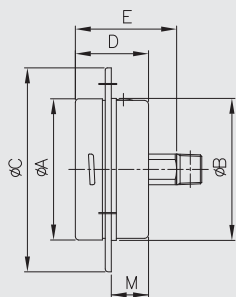
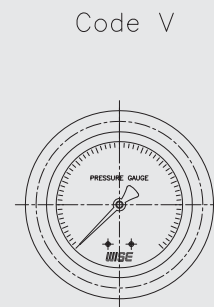
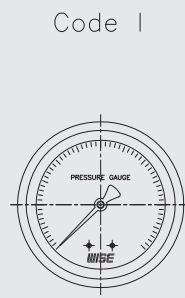
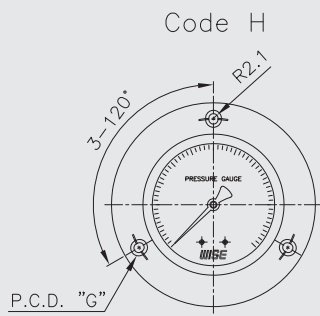
P253 : Type of mounting (1/2)



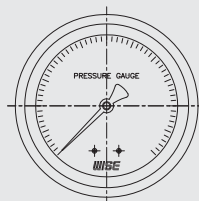
Dimensions (mm)

Dial size	Available code	A	B	C	D ± 2	E ± 2	F ± 1	M	G	H	Q
63	A	64	62		34	41.7	11				
	B	64		85	37	41.7	15		74~75		
	F	64	62		34	45					
	J	64	66	86	34	45		28	75		15
100	A*	101.3	99		50	65	16				
	B*	101.3		133	54.4	65	19.4		115~116	R2.5	
	G*	101.3	99		50	65	29				
	N*	101.3	103.1	130.5	50	65	29	45	116		28
160	A*	160.6	159		52.5	94	15.8				
	B*	160.6		196	56	94	19.3		178	5.8	

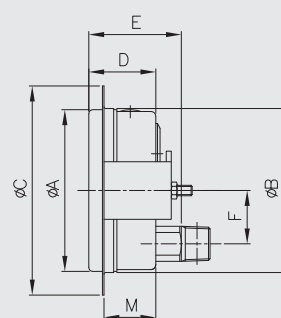
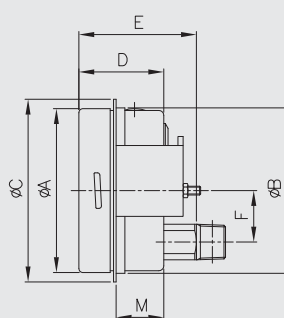
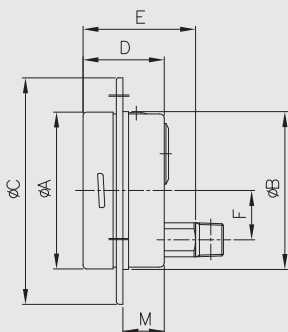
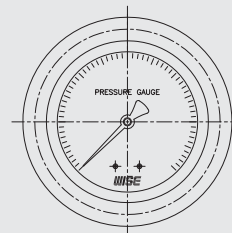
P253 : Type of mounting (2/2)



Code M*



Code W*



Dimensions (mm)

Dial size	Available code	A	B	C	D±2	E±2	F±1	M	G
63	H	64	64.5	92	34	45			77~78
	I	64	63.7	71	34	45		18.5	
	V	64	66	86	34	45		28	
100	L*	101.3	100.4	132	50	65	29	27.7	115~116
	M*	101.3	101	107.5	50	65	29	29.5	
	W*	101.3	103.1	130.5	50	65	29	45	

Pressure unit and range table

Range and code	Unit and code			Nominal diameter		
	H : bar	I : MPa	J : kPa	63 mm	100 mm	160 mm
026	-1 ~ 0	-0.1 ~ 0	-100 ~ 0	O	O	O
041	0 ~ 1	0 ~ 0.1	0 ~ 100	O	O	O
133	0 ~ 1.6	0 ~ 0.16	0 ~ 160	X	O	O
042	0 ~ 2	0 ~ 0.2	0 ~ 200	O	O	O
134	0 ~ 2.5	0 ~ 0.25	0 ~ 250	X	O	O
043	0 ~ 3	0 ~ 0.3	0 ~ 300	O	O	O
044	0 ~ 4	0 ~ 0.4	0 ~ 400	O	O	O
045	0 ~ 6	0 ~ 0.6	0 ~ 600	O	O	O
047	0 ~ 10	0 ~ 1	0 ~ 1,000	O	O	O
050	0 ~ 15	0 ~ 1.5	X	O	O	O
143	0 ~ 16	0 ~ 1.6	X	O	O	O
051	0 ~ 20	0 ~ 2	X	O	O	O
052	0 ~ 25	0 ~ 2.5	X	O	O	O
054	0 ~ 35	0 ~ 3.5	X	O	O	O
151	0 ~ 40	0 ~ 4	X	O	O	O
055	0 ~ 50	0 ~ 5	X	O	O	O
056	0 ~ 60	0 ~ 6	X	O	O	O
057	0 ~ 70	0 ~ 7	X	O	O	O
058	0 ~ 100	0 ~ 10	X	O	O	O
059	0 ~ 150	0 ~ 15	X	O	O	O
060	0 ~ 160	0 ~ 16	X	O	O	O
062	0 ~ 250	0 ~ 25	X	O	O	O
064	0 ~ 350	0 ~ 35	X	O	O	O
065	0 ~ 400	0 ~ 40	X	X	O	O
066	0 ~ 500	0 ~ 50	X	X	O	O
067	0 ~ 600	0 ~ 60	X	X	O	O
068	0 ~ 700	0 ~ 70	X	X	O	O
070	0 ~ 1,000	0 ~ 100	X	O	O	O
027	-1 ~ 1	-0.1 ~ 0.1	-100 ~ 100	O	O	O
007	-1 ~ 1.5	-0.1 ~ 0.15	-100 ~ 150	X	O	O
028	-1 ~ 2	-0.1 ~ 0.2	-100 ~ 200	O	O	O
029	-1 ~ 3	-0.1 ~ 0.3	-100 ~ 300	O	O	O
030	-1 ~ 4	-0.1 ~ 0.4	-100 ~ 400	O	O	O
010	-1 ~ 5	-0.1 ~ 0.5	-100 ~ 500	O	O	O
031	-1 ~ 6	-0.1 ~ 0.6	-100 ~ 600	O	O	O
014	-1 ~ 9	-0.1 ~ 0.9	-100 ~ 900	O	O	O
032	-1 ~ 10	-0.1 ~ 1	-100 ~ 1,000	O	O	O
033	-1 ~ 15	-0.1 ~ 1.5	-100 ~ 1.5MPa	O	O	O
034	-1 ~ 20	-0.1 ~ 2	-100 ~ 2MPa	O	O	O
017	-1 ~ 24	-0.1 ~ 2.4	-100 ~ 2.4MPa	O	O	O
035	-1 ~ 25	-0.1 ~ 2.5	-100 ~ 2.5MPa	O	O	O

O : Available X : Not available