

Indicating type pressure switch

Model: P535, P536 series

Spec. sheet no. PD05-06

Service intended

P535 and P536 series are micro contact type switches, and suitable for a corrosive fluid and a high pressure measurement. Deadband is fixed.



Nominal diameter

100 and 150 mm

Accuracy

Indicator : $\pm 1.0\%$ of full scale
Alarm setting : $\pm 3.0\%$ of full scale

Repeatability

$\pm 1.0\%$ of adjustable range

Adjustable range (MPa, kPa, bar)

-0.1 ~ 0 to -0.1 ~ 2 MPa
0 ~ 0.1 to 0 ~ 35 MPa

Working temperature

Ambient : -20 ~ 65°C
Fluid : Max. 100°C

Degree of protection

EN60529/IEC529/IP65

Temperature effect

Accuracy at temperature above and below the reference temperature (20°C) will be effected by approximately $\pm 0.4\%$ per 10°C of full scale



Standard features

Pressure connection

Stainless steel (316SS)

Element

C type bourdon tube
Stainless steel (316SS)

Case and cover

ALDC 12.1, silver gray painted for 150 mm
ALDC 12.1, black painted for 100 mm

Process connection

$\frac{3}{8}$ ", $\frac{1}{2}$ " PT, NPT and PF

Conduit connection

150 mm : $\frac{3}{4}$ " PF
100 mm : M20 x 1.5

Contact

Micro contact type
One SPDT or two SPDT
One DPDT

Contact rating

150 mm - AC 125 V/250 V, 15 A and DC 30 V, 2 A
DC 125 V, 0.5 A for resistance load
-AC 125 V/250 V, 15 A and DC 30 V, 1 A
DC 125 V, 0.05 A for inductive load
100 mm - AC 250 V, 3 A / AC 125 V, 5 A
DC 250 V, 0.2 A / DC 125 V, 0.4 A
DC 30 V, 4 A
Dielectric strength : AC 500 V/min

WISE[®]

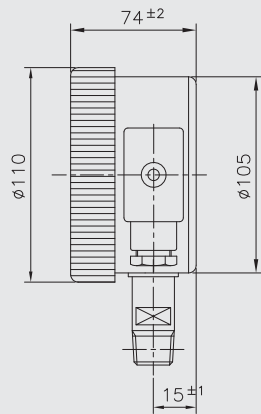
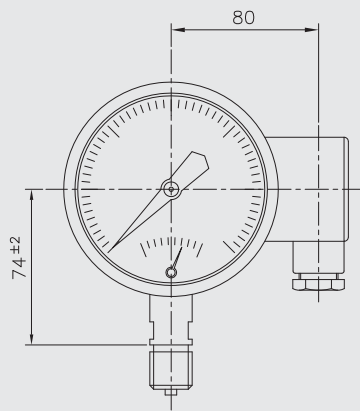
1. Base model**P535** Indicating type pressure switch (Single setpoint)**P536** Indicating type pressure switch (Dual setpoint)**2. Nominal diameter (mm)****4** 100**6** 150**3. Type of mounting****A** Bottom connection, direct, only available with diameter 100 mm**B** Bottom connection, surface, case mounting plate**L** Lower back connection, flush, case center mounting plate, only available with diameter 100 mm**4. Accuracy****3** ±1.0% of full scale**5. Process connection****D** 3/8"**E** 1/2"**6. Connection type****B** PF**C** PT**D** NPT**7. Unit****H** bar**I** MPa**J** kPa**8. Range****XXX** Refer to pressure unit and range table**9. Pressure connection material and dial color****3** 316SS and 2 colors**7** 316SS and 3 colors**10. Option****0** None**1** Accessories

1	2	3	4	5	6	7	8	9	10
P535	6	B	3	D	D	H	XXX	3	0

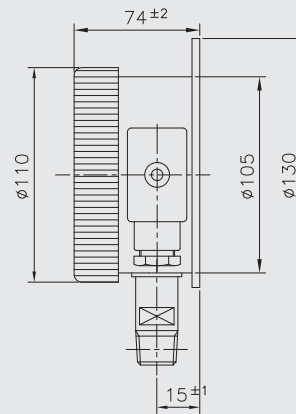
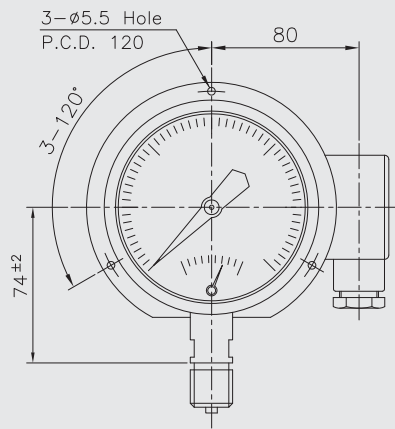
Sample
ordering code

P535, P536 : Type of mounting

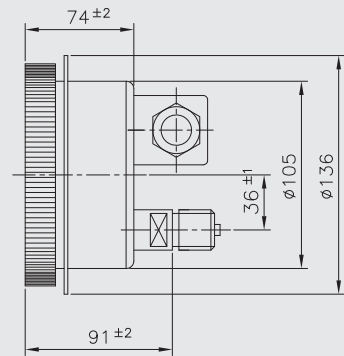
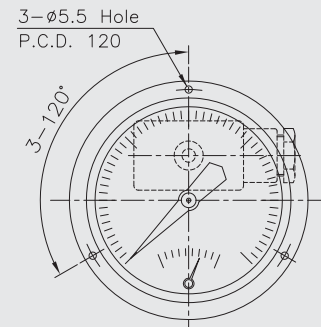
Code A ($\phi 100$)



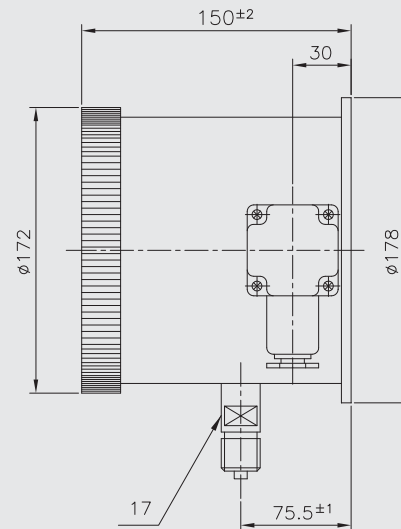
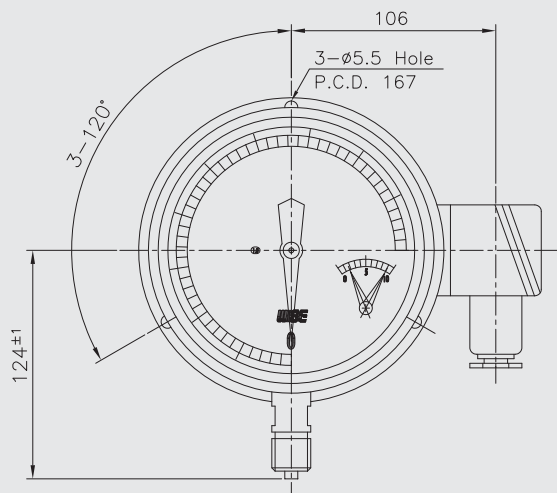
Code B ($\phi 100$)



Code L ($\phi 100$)



Code B* ($\phi 150$)



Pressure unit and range table

Range and code	Unit and code			P535	P536
	H : bar	I : MPa	J : kPa		
026	-1 ~ 0	-0.1 ~ 0	-100 ~ 0	O	O
041	0 ~ 1	0 ~ 0.1	0 ~ 100	O	O
042	0 ~ 2	0 ~ 0.2	0 ~ 200	O	O
043	0 ~ 3	0 ~ 0.3	0 ~ 300	O	O
044	0 ~ 4	0 ~ 0.4	0 ~ 400	O	O
045	0 ~ 6	0 ~ 0.6	0 ~ 600	O	O
047	0 ~ 10	0 ~ 1	0 ~ 1,000	O	O
050	0 ~ 15	0 ~ 1.5	X	O	O
143	0 ~ 16	0 ~ 1.6	X	O	O
051	0 ~ 20	0 ~ 2	X	O	O
052	0 ~ 25	0 ~ 2.5	X	O	O
054	0 ~ 35	0 ~ 3.5	X	O	O
151	0 ~ 40	0 ~ 4	X	O	O
055	0 ~ 50	0 ~ 5	X	O	O
056	0 ~ 60	0 ~ 6	X	O	O
057	0 ~ 70	0 ~ 7	X	O	O
058	0 ~ 100	0 ~ 10	X	O	O
059	0 ~ 150	0 ~ 15	X	O	O
060	0 ~ 160	0 ~ 16	X	O	O
062	0 ~ 250	0 ~ 25	X	O	O
064	0 ~ 350	0 ~ 35	X	O	O
065	0 ~ 400	0 ~ 40	X	O	O
027	-1 ~ 1	-0.1 ~ 0.1	-100 ~ 100	O	O
028	-1 ~ 2	-0.1 ~ 0.2	-100 ~ 200	O	O
029	-1 ~ 3	-0.1 ~ 0.3	-100 ~ 300	O	O
030	-1 ~ 4	-0.1 ~ 0.4	-100 ~ 400	O	O
031	-1 ~ 6	-0.1 ~ 0.6	-100 ~ 600	O	O
032	-1 ~ 10	-0.1 ~ 1	-100 ~ 1,000	O	O
033	-1 ~ 15	-0.1 ~ 1.5	-100 ~ 1.5 MPa	O	O
034	-1 ~ 20	-0.1 ~ 2	-100 ~ 2 MPa	O	O
035	-1 ~ 25	-0.1 ~ 2.5	-100 ~ 2.5 MPa	O	O

O : Available X : Not available