

# Electrical contact type pressure gauge with nickel plated zinc case

## Model: P542, P543 series

Spec. sheet no. PD05-07

### Service intended

P542 and P543 series are designed for a local reading of measured pressure and equipped with the inductive contact block which allows all the combinations of contacts to be used. The contact block is mounted on the dial. The window is fitted with a knob for external adjustment of the set points. These are also designed to direct the leakage of insulating oil inside the electric cable.



### Nominal diameter

100 and 150 mm

### Accuracy

±1.0% of full scale

### Scale range (MPa, kPa, bar)

-0.1 ~ 0.6 MPa to -0.1 ~ 1 MPa

-0.1 ~ 0.3 MPa

### Working pressure

Steady : 75% of full scale value

Over range protection : 130% of full scale

### Working temperature

Ambient : -40 ~ 65°C

Fluid : Max. 100°C

### Degree of protection

EN60529/IEC529/IP67

### Temperature effect

Accuracy at temperature above and below the reference temperature (20°C) will be effected by approximately ±0.4% per 10°C of full scale



## Standard features

### Pressure connection

Stainless steel (316SS)

Threaded entry, radial

### Element

Stainless steel (316SS)

C type bourdon tube

### Case

Nickel plated zinc for 100 mm (P542)

Triple setpoint only 316SS 100 and 150 mm (P543)

### Cover

Nickel plated zinc for 100 mm

Triple setpoint only 316SS 150 mm (P543)

### Window

Safety glass

### Movement

Stainless steel

### Dial

White aluminium with black graduations

### Pointer

BsT3 alloy, black painted pointer with gold plated

### Process connection

3/8" PF

### Contact

Contact : Dual set point or triple set point

Contact rating : AC 110 V, 0.5 A/AC 220 V, 0.25 A

Dielectric strength : AC 2,000 V/min insulation

Insulation resistance : More than 100 MΩ at DC 500 V

**WISE**<sup>®</sup>

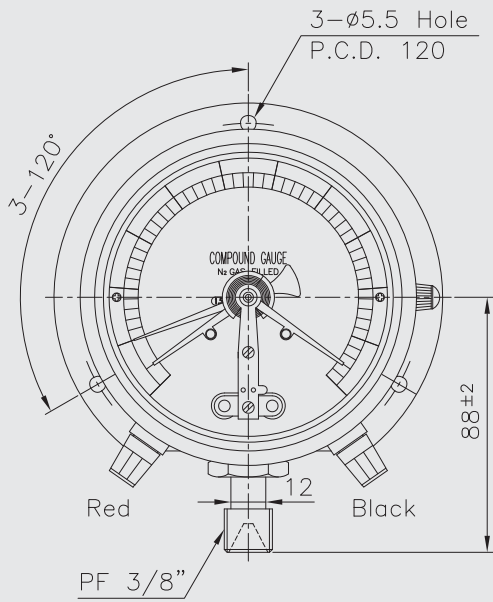
**1. Base model****P542** Electrical contact type pressure gauge (Dual contact)**P543** Electrical contact type pressure gauge (Triple contact)**2. Nominal diameter (mm)****4** 100**6** 150**3. Type of mounting****B** Bottom entry and surface mounting flange**4. Accuracy****3** ±1.0% of full scale**5. Process connection****D** 3/8"**6. Connection type****B** PF**7. Unit****H** bar**I** MPa**J** kPa**8. Range****029** -0.1 ~ 0.3 MPa (-1 ~ 3 bar)**031** -0.1 ~ 0.6 MPa (-1 - 6 bar)**032** -0.1 ~ 1 MPa (-1 ~ 10 bar)**9. Dial color****6** 3 colors**10. Option****0** None**1** Accessories

1	2	3	4	5	6	7	8	9	10
P542	6	B	3	D	B	H	029	6	0

Sample  
ordering code

## P542 : Type of mounting

Code 4



Code 6

