

Differential pressure gauge

Model: P620, P630 series

Spec. sheet no. PD06-03

Service intended

P620 and P630 series are designed to measure differential pressure from 1 kPa to 1.5 MPa at static pressure up to 5 and 25 MPa. A set of stainless steel bellows mounted on a force balance allows direct reading of the actual differential pressure.



Nominal diameter

100 and 160 mm

Accuracy

±1.0% of full scale
±1.6% of full scale

Scale range (MPa, kPa, bar)

0 ~ 1 kPa to 0 ~ 50 kPa
0 ~ 0.1 MPa to 0 ~ 1.5 MPa

Static pressure

P620 : 5 MPa
P630 : 25 MPa

Working temperature

Ambient : -20 ~ 65°C
Fluid : Max. 100°C

Degree of protection

EN60529/IEC529/IP67

Temperature effect

Accuracy at temperature above and below the reference temperature (20°C) will be effected by approximately ±0.5% per 10°C of full scale



Standard features

Pressure connection

Stainless steel (316SS)

Element

Bellows
Stainless steel (316L SS)

Case

Stainless steel (304SS)

Cover

Stainless steel (304SS)
Bayonet type

Window

Safety glass

Dial

White aluminium with black graduations

Pointer

Black painted aluminium alloy

Process connection

¼" NPT(F)
½" NPT(F) at 3-way manifold valve
and 5-way manifold valve

Standard accessories

Mounting bracket for 2" pipe
mounting with silver gray finished steel

Optional

- Remote seal
- Mounting bracket with 316SS for 2" pipe mounting
- 3-way manifold valve (316SS, Monel)
- 5-way manifold valve (316SS, Monel)

1. Base model

- P620** Differential pressure gauge (Static pressure : 5 MPa)
P630 Differential pressure gauge (Static pressure : 25 MPa)

2. Nominal diameter (mm)

- 4** 100
6 160

3. Type of mounting

- D** Bottom connection, mounting bracket for 2" pipe
L Bottom connection, flush, case center mounting plate

4. Accuracy

- 3** ±1.0% of full scale
4 ±1.6% of full scale

5. Process connection

- C** ¼" NPT(F)
E ½" NPT(F) (only at 3-way and 5-way manifold valve)

6. Mounting bracket

- D** Standard bracket
E 304SS mounting bracket
F 316SS mounting bracket
W Wall mounting bracket (316SS)
N None

7. Unit

- H** bar
I MPa
J kPa
S mbar

8. Range

- 041** 0 ~ 0.1 MPa
042 0 ~ 0.2 MPa
043 0 ~ 0.3 MPa
044 0 ~ 0.4 MPa
045 0 ~ 0.6 MPa
047 0 ~ 1 MPa
050 0 ~ 1.5 MPa
457 0 ~ 1 kPa, not available with remote seal type
460 0 ~ 2 kPa, not available with remote seal type
462 0 ~ 3 kPa, not available with remote seal type
464 0 ~ 4 kPa, not available with remote seal type
465 0 ~ 5 kPa, not available with remote seal type
469 0 ~ 10 kPa, not available with remote seal type
437 0 ~ 20 kPa, not available with remote seal type
518 0 ~ 30 kPa, not available with remote seal type
040 0 ~ 50 kPa

9. Dial color

- 3** 2 colors

10. Options

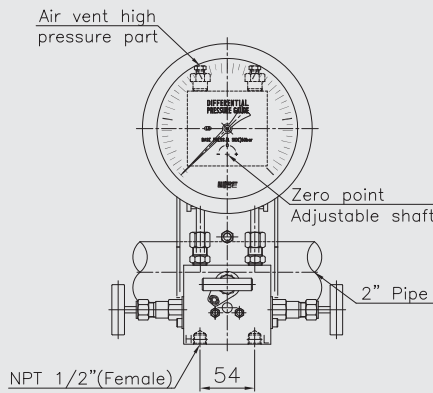
- 0** Standard (2" mounting bracket)
1 Accessories (3-way or 5-way manifold valve)
2 Standard and glycerin filling
3 Manifold valve and glycerin filling
6 Standard and silicone filling
7 Manifold valve and silicone filling

1	2	3	4	5	6	7	8	9	10
P620	6	D	4	E	D	I	047	3	2

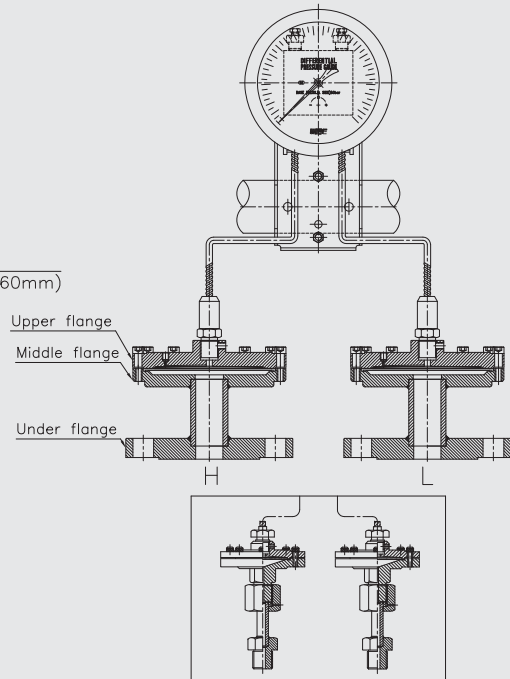
Sample
ordering code

P620, P630 : Type of mounting (1/2)

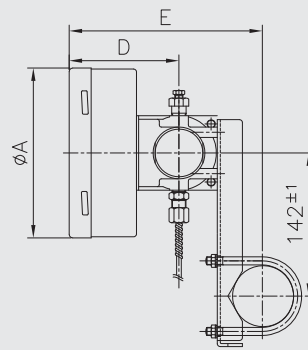
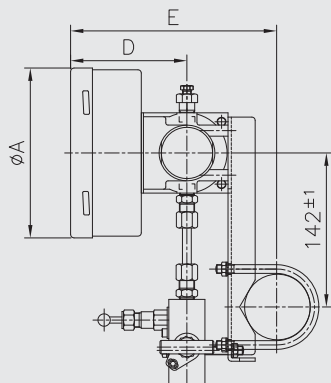
Code (D) P620 and P630



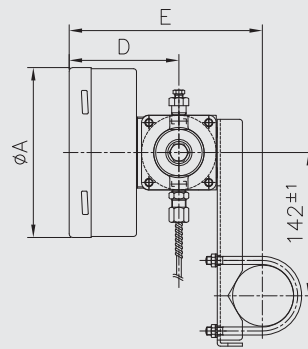
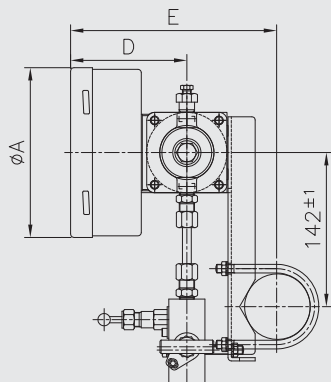
Code (D) P620 and P630(Remote seal)



P620 (Staic pressure : 5 MPa)



P630 (Staic pressure : 25 MPa)



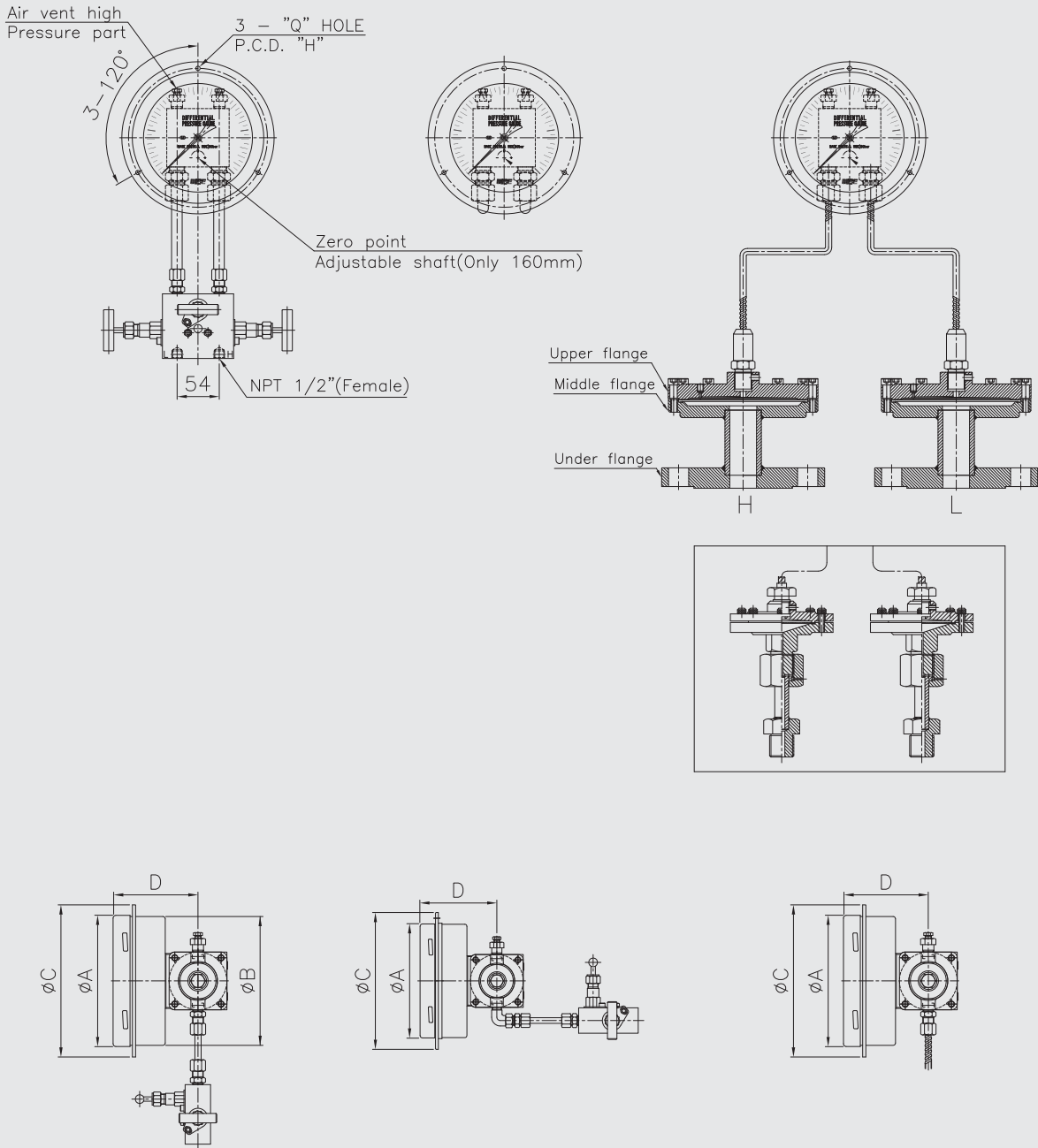
Dimensions (mm)

Dial size	A	D±2	E±2
100	101.3	138	185.5
160	160.6	141.5	190

P620, P630 : Type of mounting (2/2)

Code (L)P620 and P630

Code (L)P620 and P630(Remote seal)



Dimensions (mm)

Dial size	A	B	C	D±2	H	Q
100	101.3	100.5	132	138	115~116	ø4.8
160	160.6	153.5	195	141.5	178	ø5.5