

Sanitary pressure gauge - Male connection (3-A marking)

Model: P753S series

Spec. sheet no. PD07-06

Service intended

P753S series have diaphragm seal to be combined with a pressure gauge. These series are suitable to be used for the situation where corrosive, contaminated, hot, and viscous pressure mediums are present, and it could be used for a chemical, food, beverage, biochemical, and pharmaceutical industry.



Special features

3-A certificated
Suitable for SIP and CIP
All stainless steel and welded construction

Nominal diameter

63 and 100 mm

Accuracy

±1.6% of full scale
If scale range less than 100 psi : ±2.0% of full scale

Scale range

-0.2 ~ 3.5 MPa, single

Working pressure

Steady pressure : 75% of full scale value
Fluctuating pressure : 67% of full scale value

Operating temperature

Ambient : -20 ~ 65°C
Fluid : Max. 121°C

Temperature effect

Accuracy at temperature above and below the reference temperature (20°C) will be effected by approximately ±0.5% per 10°C of full scale



Standard features

Process connection

DIN Round thread 28-8

Case and cover

Stainless steel (304SS)
Electropolished with pressure relief

Window

Safety glass

Movement

Stainless steel

Dial

White aluminium, with pointer stop pin
With black/red lettering, dual pressure scale

Pointer

Black painted aluminium alloy

Helium leak rate

Tested to confirm leakage rates of less than 10⁻⁸ mbar • l /sec

System filling

USP grade glycerin (FDA approved)

O-ring

Supplied by FDA approved Supplier (Viton)

Optional

Material of wetted parts : Electropolished 316L SS

WISE[®]

1. Base model**P753S** Sanitary pressure gauge - Male connection (3-A marking)**2. Nominal diameter and mounting type**

- 7A** 63 mm, bottom connection (refer to code A)
- 8A** 100 mm, bottom connection (refer to code A)
- 7G** 63 mm, lower back connection (refer to code G)
- 8G** 100 mm, lower back connection (refer to code G)

3. Body and process connection material**D** 316SS**4. Process connection****F** DIN Round thread 28-8**5. Unit**

- H** bar
- I** MPa
- J** kPa

6. Range**XXX** Refer to pressure range table**7. Diaphragm material****E** 316L SS**8. Options**

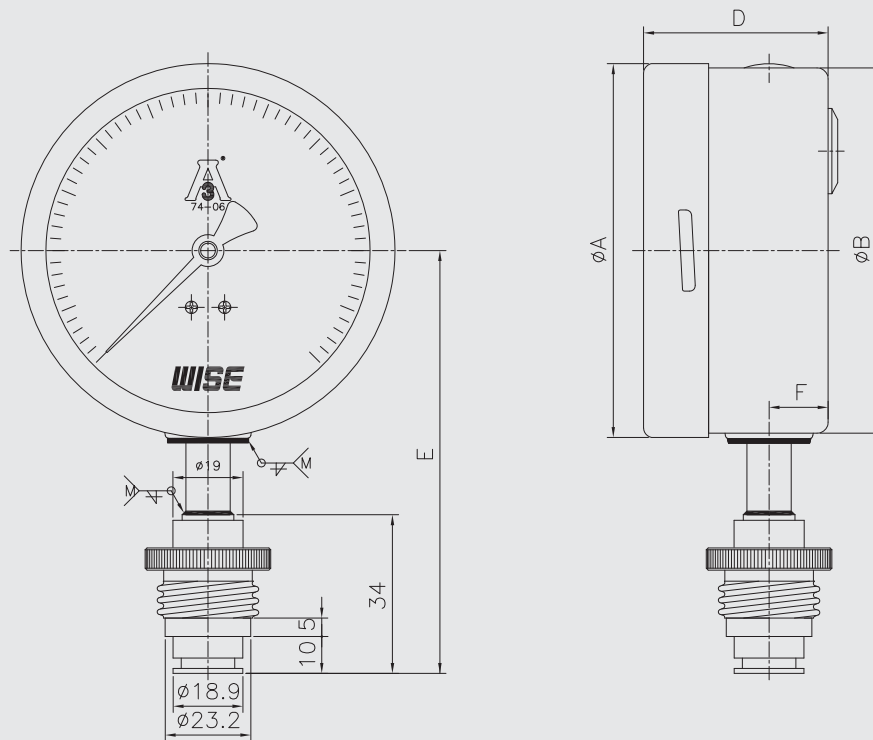
- 0** None
- 1** Accessories

1	2	3	4	5	6	7	8
P753S	8A	D	F	H	XXX	E	0

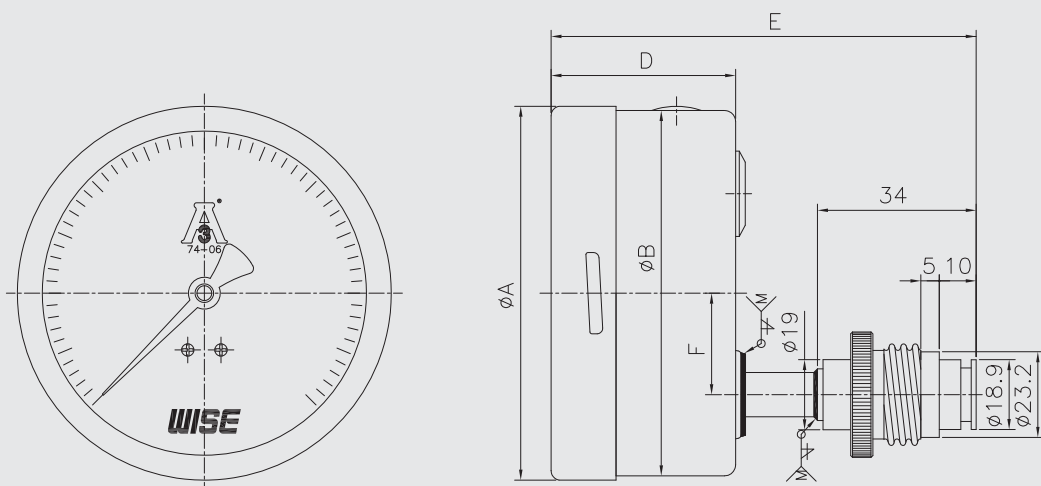
Sample
ordering code

P753S : Type of mounting

Code A



Code G



Dimensions (mm)

Dial size	Available code	A	B	D±2	E±2	F±1
63	A	64	62	34	77.5	11
	G				78.5	13
100	A	101.3	99	50	102.5	16
	G				101.5	24

Range table

Range and code	Unit and code		Pressure connection
	H : bar	I : MPa	$\frac{3}{4}$ S
042	0 ~ 2	0 ~ 0.2	O
044	0 ~ 4	0 ~ 0.4	O
045	0 ~ 6	0 ~ 0.6	O
047	0 ~ 10	0 ~ 1	O
050	0 ~ 15	0 ~ 1.5	O
051	0 ~ 20	0 ~ 2	O
052	0 ~ 25	0 ~ 2.5	O
054	0 ~ 35	0 ~ 3.5	O

O : Available X : Not available