

Model **SRF**

Radio Frequency Type Level Switch



SEOJIN INSTECH CO., LTD.

SRF - 600, 900

Features

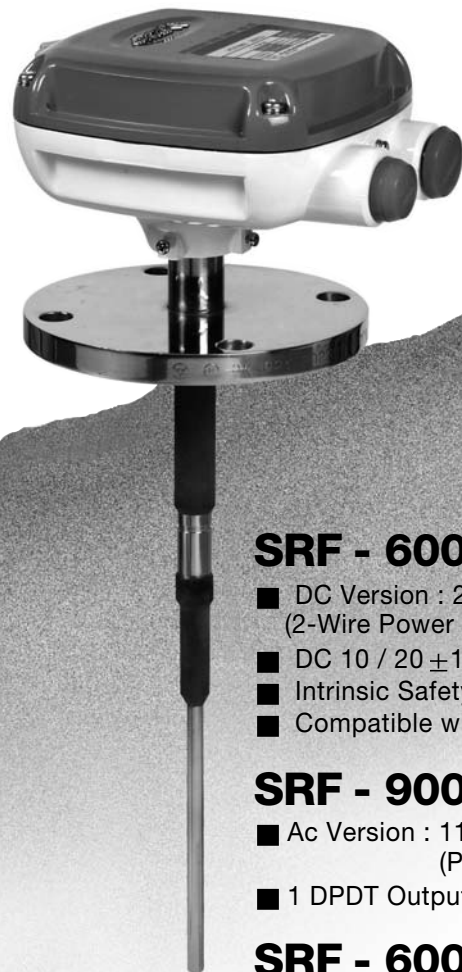
- Liquid, powder & solid
- Compensation for false indication caused by material coating or build-up
- For high temperature and high pressure
- Head & Probe Separation

Functions

- **Selectable High/Low Alarm**
The high or low alarm can be selected with inside switch setting
- **Time Delay Selection**
Switch selection can adjust the output time from 0.5 to 6 sec
- **Function Test**
With push button switch built in sensor, the operation can be checked under empty tank or no contact with the measured material.
- **Sensitivity Setting**
The capacitance depends on shape of tanks, and the sensitivity can be adjusted with adjuster in sensor in order to match it to site conditions after installation is finished.

Applications

- Chemical/ petrochemical industry
- Power Utilities Industry
- food Industry
- feed Industry
- grain Industry
- Pulp/Paper Industry
- Pharmaceutical
- Water/ Waste Water Industry
- Foundry Industry
- Other Industries



SRF - 600 Series

- DC Version : 24V DC (2-Wire Power Input)
- DC 10 / 20 ±1 mA Output
- Intrinsic Safety
- Compatible with RF-600-10U

SRF - 900 Series

- Ac Version : 110/220V AC (Power Input)
- 1 DPDT Output

SRF - 600SS

- Distance : 20m Max.
- Cable : RG-62A/U(Belden)
- Head & Probe Separation Type

Remote Control & Power Supply Unit

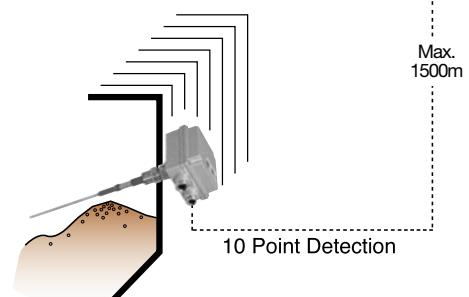
RF-600-10U



Power Supply Unit

Calibration & Control Unit (1 by 1)

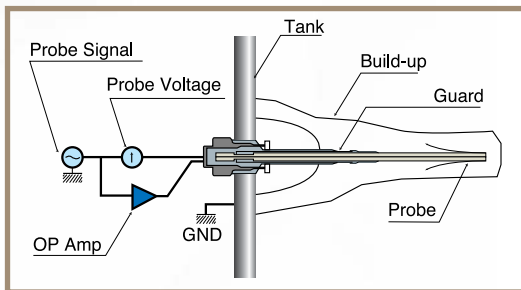
SRF-600



Overall Dimensions

Sensor Part

Nipple	Flange	Explosion Proof	High Temp.		Head & Probe Separation
			240°C Max.	500°C Max.	



Generally Capacitance Type Sensor consists of one electrode, which may allow malfunction by the reason of build-up material between tank wall and sensor.

But Radio Frequency Type Level Sensor is designed to compensate for the false indication occurred by the material coating by adding another electrode for complement of such condition, except the electrode for ground and thus the malfunction is improved.

Specifications

DESCRIPTION		SRF - 600 Series	SRF - 900 Series	RF - 600 - 10U
TYPE		Radio Frequency Level Sensor		Level Switch Controller
POWER SUPPLY		DC 24V (DC 16 - 30V) 2 - Wire	AC110 / 220V, 60Hz	AC110/220V, 60Hz
SIGNAL	NON DETECTION	DC 4 ~ 11mA \pm 1	Normal Open	INPUT : 4 ~ 11mA
	DETECTION	DC17~ 21mA \pm 1	Normal Close	INPUT : 17 ~ 21mA
OUTPUT IMPEDANCE		450 Ω (DC24V)	—	—
CONTACT		—	1 DPDT, AC 250V / 5A	1 DPDT, AC 250V / 5A
SENSITIVITY RANGE		5 ~ 30pF		—
DELAY TIME		0.5, 2, 4, 6 SEC		0.5 ~ 10 Sec
EXPLOSION PROOF		Ex d IIC T6, IP65		—
PROBE MATERIAL		304SS, 316SS, P.P.S, Ceramic, Teflon(or Kynar) Coating		—
TEMPERATURE	ELECTRONICS	0 ~ +60°C		0 ~ +60°C
	PROBE	+500°C Max.		—
MOUNTING		PT 1", PT 1 1/2", JIS 5K 65A Flange		Rack Mount
FUNCTION		Selectable H/L Alarm, Operating Test Switch, Sensitivity Adjustment		10 Points Detection
CABLE DISTANCE		Head & Probe Separation Distance 15m Max.(Std) , 3m Max. (High temp')		1,500m

■ RADIO FREQUENCY TYPE LEVEL SWITCH

SRF -	900	A	1	A	1	A	1
-------	-----	---	---	---	---	---	---

Material of Detection probe
 1 = 304SS
 2 = 316SS

CONDUIT CONNECTION
 A = PF 3/4" & PF 1/2" (Std.)
 B = PT 3/4" & PT 1/2"
 C = PF 3/4" Explosion proof type
 D = PT 3/4"
 OP = etc.

ENCLOSURE
 1 = Weather proof (Std.)
 2 = Explosion proof (Exd IIC T6, IP65)

PROBE LENGTH
 A = 381mm (Nipple Type Std.)
 B = 371mm (Flange Type Std.)
 C = 372 ~ 1000mm
 OP = etc.

MOUNTING SIZE
 1 = PT 1" (Std.)
 2 = PT 1 1/2" (Extension Type Only)
 3 = JIS 5K 65A FF Flange
 OP = etc.

OPERATING TEMPERATURE & MATERIALS
 A = 0 ~ +80℃ PPS (Std.)
 B = 0 ~ +240℃ PPS
 C = 0 ~ +500℃ Ceramic
 ※ PPS: Polyphenylen Sulfide

POWER SUPPLY
 600 = 16 ~ 30V DC (2-Wire Type)
 600SS = 16 ~ 30V DC (Head & Probe Separation Type)
 900 = 110/220V AC
 900SS = 110/220V AC (Head & Probe Separation Type)

■ When placing an order, selected ordering number should be indicated on the purchase order sheet.