

**HEAVY DUTY SERVICE
REMOTE READING THERMOMETER
MODEL : T263**



SERVICE INTENDED

Heavy Duty Service thermometer is designed to withstand the shock and vibration inherent in heavy duty service.

NOMINAL DIAMETER

80mm

ACCURACY

±1.0% of Full Scale(0 up to 200°C)
±2.0% of Full Scale

TEMPERATURE ELEMENT

Liquid Filled
Organic Gas : -50°C to 600°C

WORKING RANGE

Maximum Scale Value



Standard Features

LOCATION OF STEM AND MOUNTING

Bottom Connection, Surface, Case Mounting
Lower Back Connection, Flush, Case Lower Mounting
Lower Back Connection, Flush, Case Centre Mounting

CASE & COVER

Black Finished Bronze

CAPILLARY

Capillary : 1.6/0.2 mm, 316SS
Armored tube : 6.5/4.5 mm, 304SS

WINDOW

Glass

MOVEMENT

304SS
Damper Vibration and Pulsation

DIAL

White Aluminium with
Black Graduations

POINTER

Black Aluminium

STEM

8.0, 10.0 and 12.0mm
316SS

ZERO ADJUSTMENT

Please take out the pointer
and reset it

STEM CONNECTION

3/8", 1/2", 3/4" PT or NPT

ORDERING INFORMATION

BASE MODEL

T263 : HEAVY DUTY SERVICE REMOTE READING THERMOMETER

NOMINAL DIAMETER

3 : 80mm

TYPE OF MOUNTING

B : Bottom Connection, Surface, Case Mounting Plate, Not available with diameter 75 mm

K : Lower Back Connection, Flush, Case Mounting Plate, Only available with diameter 100mm

L : Lower Back Connection, Flush, Case Centre Mounting Plate, Not available with diameter 150mm

STEM MATERIAL

1 : 316SS

PROCESS CONNECTION

D : 3/8"

E : 1/2"

E : 3/4"

CONNECTION TYPE (CF : Compression Fitting)

C : PT

D : NPT

E : CF + PT

E : CF + NPT

STEM OUT DIA.

2 : 8.0mm

3 : 10.0mm

4 : 12.0mm

RANGE(Refer to Scale Range Table)

XXX

CAPILLARY LENGTH

P : 2 metre

Q : 3 metre

S : 5 metre

V : 8 metre

X : 10 metre

Z : Other

ACCESSORIES

0 : None

1 : Thermowell

T263

3

B

1

E

C

3

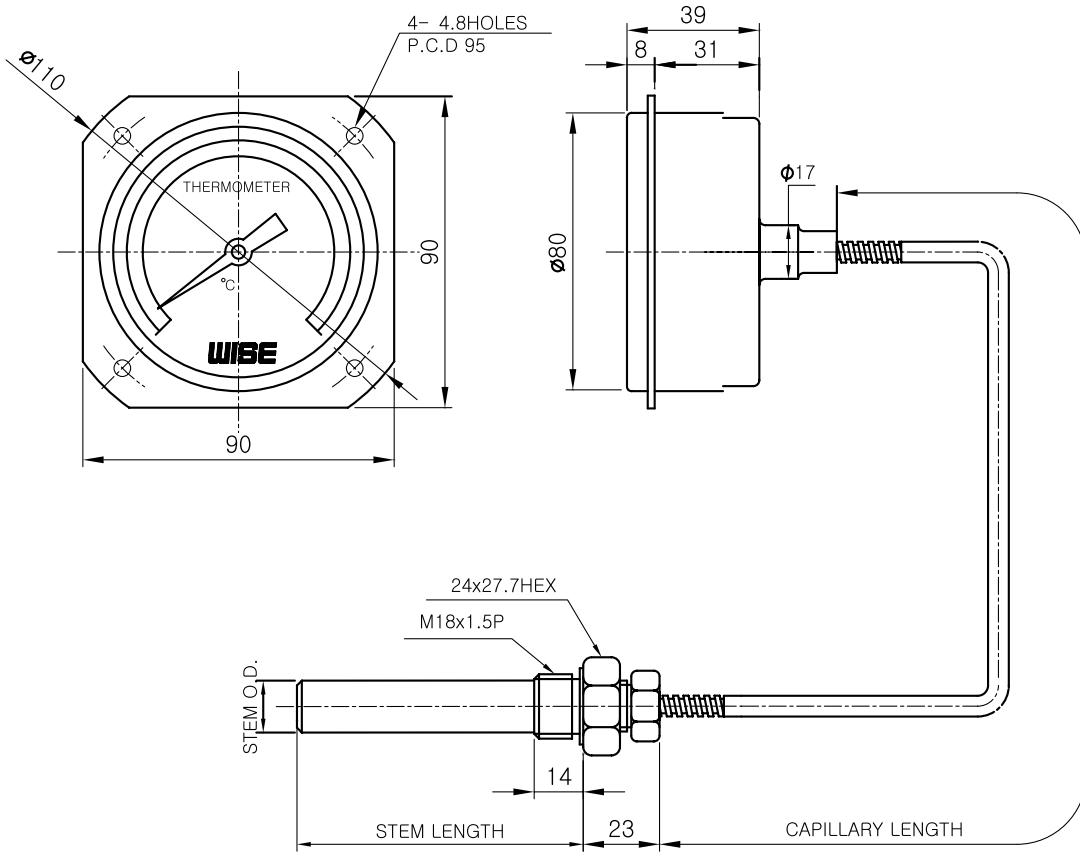
XXX

P

1

SAMPLE
MODEL
NUMBER

T263 : TYPE OF MOUNTING



SCALE RANGES

Code	Scale Range (°C)	Scale Spacing (°C)	Minimum Stem Length (mm)			Standard Stem Length (mm)		
			8.0	10.0	12.0	8.0	10.0	12.0
032	-50~50	2	100	85	65	200	130	130
037	-50~100	5	100	88	65	200	130	130
054	-30~50	2	100	85	65	200	150	130
059	-30~100	2	100	85	65	200	130	130
061	-30~120	5	100	85	65	200	130	130
069	-20~50	2	100	85	65	200	130	130
074	-20~100	2	100	85	65	200	130	130
079	-20~150	5	100	85	65	200	130	130
084	-10~50	1	100	85	65	200	130	210
099	0~50	1	100	85	65	200	130	210
100	0~60	1	100	85	65	200	130	190
101	0~70	2	100	85	65	200	130	130
102	0~80	2	100	85	65	200	130	130
104	0~100	2	100	85	65	200	130	130
106	0~120	2	100	85	65	200	130	130
109	0~150	5	100	85	65	200	130	130
114	0~200	5	100	85	65	200	130	130
119	0~250	5	100	85	65	200	130	130
124	0~300	5	100	45	40	200	130	130
129	0~350	5	100	45	40	200	130	130
134	0~400	10	100	45	40	200	130	130
144	0~500	10	100	45	40	200	130	130
154	0~600	10	100	45	40	200	130	130
164	0~700	10	100	45	40	200	130	130